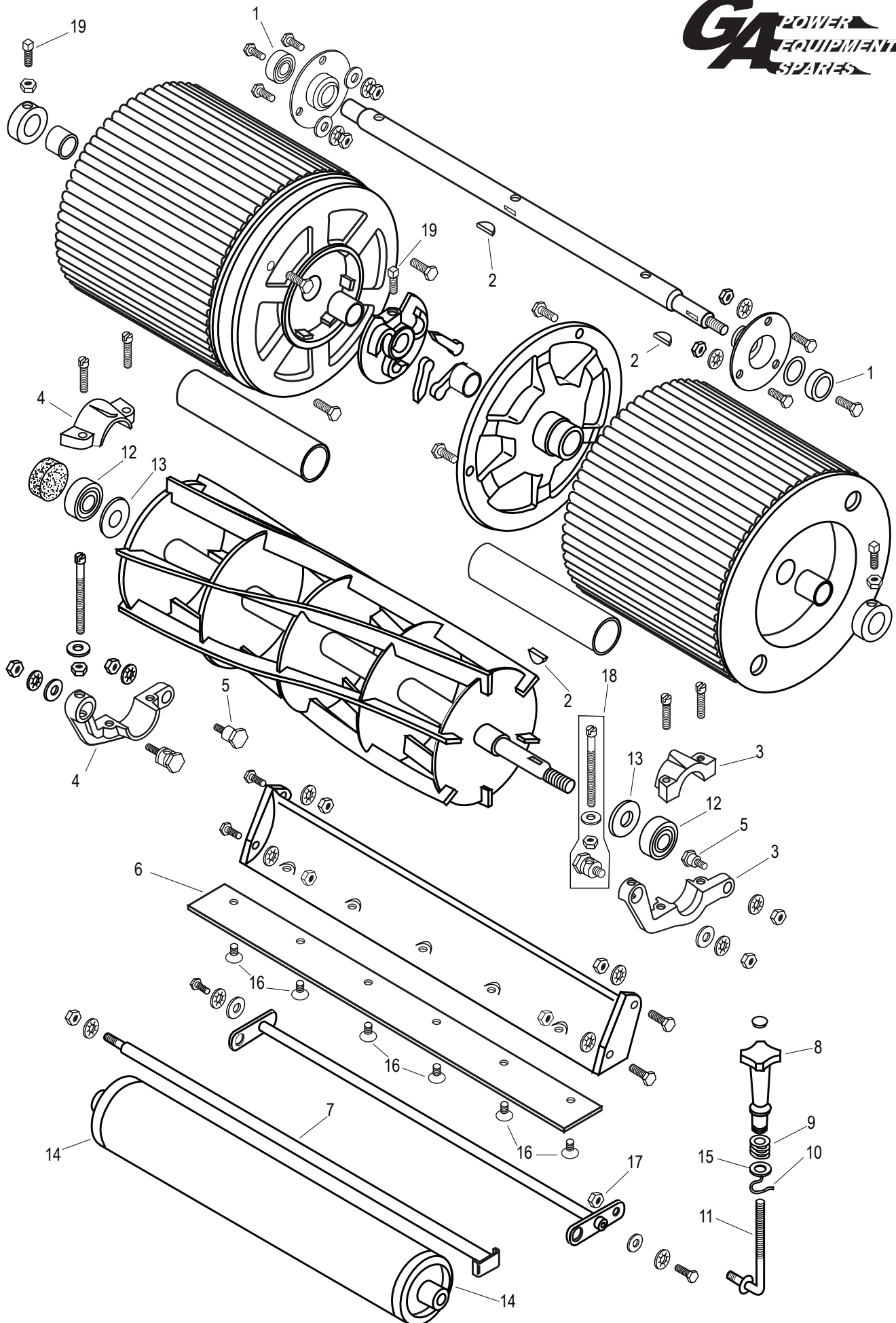


# Rover & Scott Bonnar - Drum & Cutter Assembly



Ref#	GA Part No	Barcode	Description	OEM Number	Image
1	<b>BEA1512</b>		Drum bearing Standard Pack 1	A1129017	
2	<b>KEY728</b>		Woodruff key- No.6 Standard Pack 10	A02051	
3	<b>CHD2376</b>		Cutter bearing housing- LH Standard Pack 1	A451426	
4	<b>CHD2377</b>		Cutter bearing housing- RH Standard Pack 1	A451450	
5	<b>SB345-0065</b>		Pivot bolt Standard Pack 1	A453261	
6	<b>BBD426</b>		14" Bottom Blade Standard Pack 1	A391435	
	<b>BBD427</b>		17" Bottom blade Standard Pack 1	A391700	
	<b>BBD5784</b>		20" Bottom blade low cut 2mm bevel. Standard Pack 1		
	<b>BBD428</b>		20" Bottom Blade Standard Pack 1	A392040	
7	<b>SB345-0056</b>		Front roller shaft assembly Standard Pack 1	A454301	
	<b>SB345-0057</b>		20" Front roller shaft assembly Standard Pack 1	A451047	
8	<b>SB345-0060</b>		Hand nut height adjuster knob Standard Pack 1	A454694	
9	<b>SB345-0061</b>		Spring Height Adjuster Standard Pack 1	A454707	
10	<b>SB345-0063</b>		Circlip Height Adjuster Standard Pack 1	A454723	
11	<b>SB345-0064</b>		Front roller adj. screw assembly Standard Pack 1	A454678	
12	<b>BEA158</b>		Cutter bearing Standard Pack 1	A1128382	
13	<b>CHD1859</b>		Cutter bearing shield Standard Pack 1	A451477	
14	<b>CHD1833</b>		Roller end Standard Pack 1	A455865	
15	<b>SB345-0062</b>		Retaining washer Height Adjuster. Standard Pack 1	A454715	
16	<b>BSN282</b>		Screw- 5/16" x 1/2" Csk.M/T Standard Pack 10	A2071924	
17	<b>BLH2861</b>		Nyloc nut- 3/8" unf. Standard Pack 10	A02220	
18	<b>CHD2215</b>		Right Hand Cutter bearing adjustment screw & right hand bearing clamp bolt Standard Pack 1	A456606 A456593	
19	<b>SB345-0003</b>		Setscrew-5/16" x 3/4" unc Standard Pack 10	A02082K	