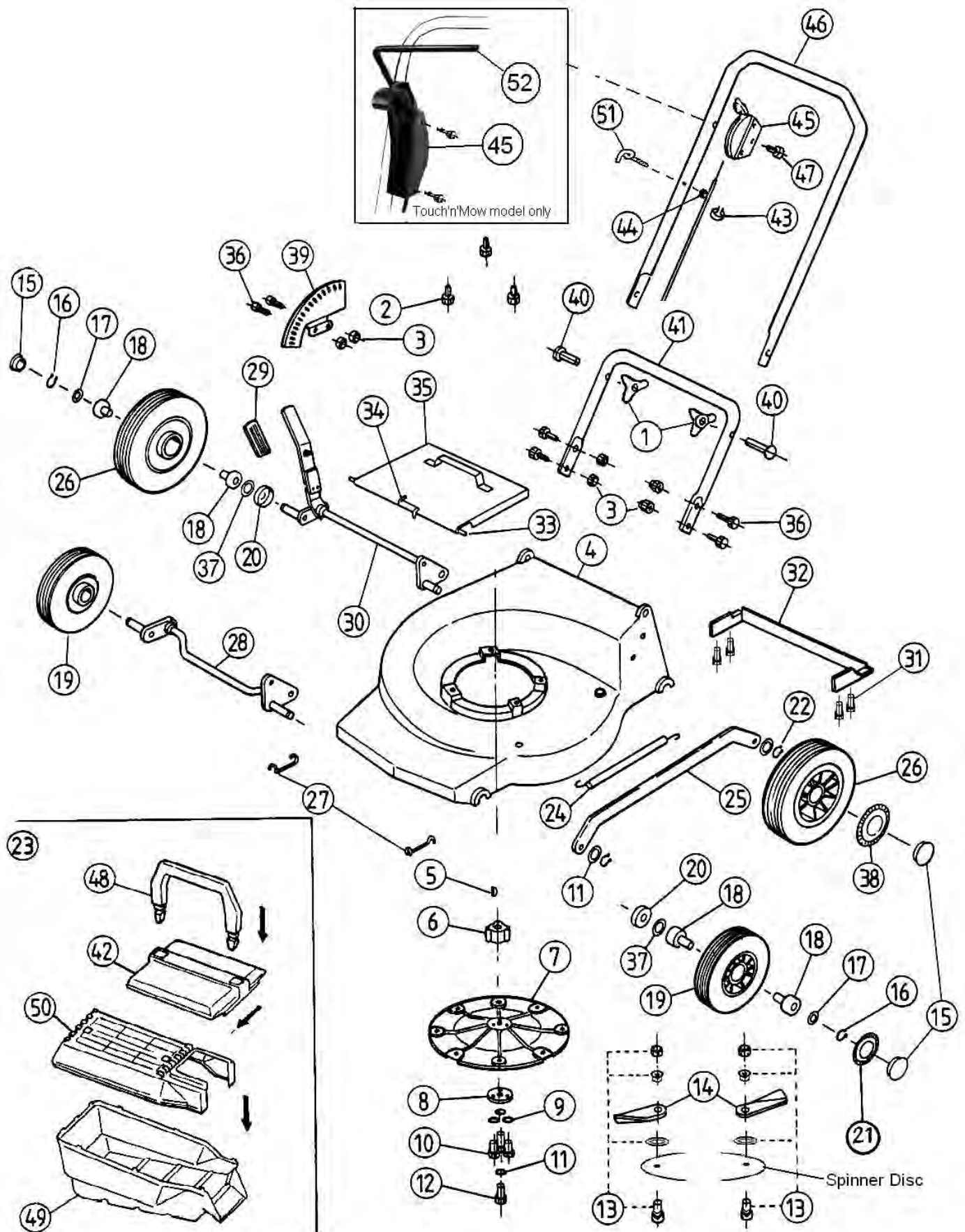


767 Series 18" Rear Catcher Mowers



767 SERIES PARTS LISTING

| Item # | Part No. | Description | Qty. | Remarks |
|--------|----------|---------------------------------------|------|--|
| 1 | AS900033 | HAND KNOB, BLACK | 2 | |
| 2 | AS901289 | BOLT, SELF TAP 3/8 X 1 1/8 | 3 | |
| 3 | AS900004 | NUT, NYLOC M8 | 6 | |
| 4 | AS900295 | CHASSIS, 767 | 1 | AS900295DG for Mulch'n'Catch |
| 5 | AS900112 | WOODRUFF KEY 5/32 X 5/8 | 1 | |
| 6 | AS900113 | TRIANGULAR SINTERED BOSS | 1 | Not used on Mulch'n'Catch |
| 7 | AS900172 | SPINNER PLATE | 1 | Not used on Mulch'n'Catch |
| 8 | AS900115 | WASHER, SPINNER PLATE | 1 | Not used on Mulch'n'Catch |
| 9 | AS900116 | INTERNAL STAR WASHER | 3 | Not used on Mulch'n'Catch |
| 10 | AS900784 | SET SCREW, M6 X 20MM HT HEX | 3 | Not used on Mulch'n'Catch |
| 11 | AS900917 | FLAT WASHER, 10MM X 21MM ZP | 3 | Not used on Mulch'n'Catch |
| 12 | AS900118 | SET SCREW, 3/8 X 1 1/4 UNF HT HEX | 1 | |
| 13 | AS900836 | BLADE BOLT KIT | 1 | Kit consists of 2 bolt sets |
| 14 | AS900174 | BLADE KIT | 1 | Kit consists of 2 blades |
| 15 | AS900073 | HUB CAP, SMALL | 2 | Discontinued click here for details |
| | AS900074 | HUB CAP, LARGE | 2 | Discontinued click here for details |
| | AS900189 | HUB COVER INSERT, LGE WHITE | 4 | Discontinued click here for details |
| 16 | AS901400 | CIRCLIP, 12MM EXTERNAL | 4 | Superseded click here for details |
| 17 | AS900099 | WASHER, FLAT 1/2 X 1 ZP | 8 | Discontinued click here for details |
| | AS900015 | BEARING, HEAVY DUTY | 4 | Superseded click here for details |
| 18 | AS900865 | WHEEL BEARING, ACETAL | 4 | |
| | AS900852 | NYLON BUSH | 4 | Discontinued click here for details |
| 19 | AS900857 | WHEEL c/w TYRE, ECONOMY 155MM | 2 | |
| | AS901301 | WHEEL c/w tyre, plastic bush & hubcap | 2 | Discontinued click here for details |
| | AS901306 | WHEEL c/w tyre, steel bearing | 2 | |
| 20 | AS900018 | DUST COVER | 4 | Discontinued click here for details |
| 21 | AS900875 | HUBCOVER, BLACK, 205MM | 2 | Discontinued click here for details |
| 22 | AS900178 | E CLIP 9MM | 2 | |
| 23 | AS901023 | CATCHER, 4-PIECE, COMPLETE | 1 | |
| 24 | AS900181 | CONNECTOR BAR SPRING | 1 | |
| 25 | AS900768 | CONNECTOR BAR ASSEMBLY | 1 | |
| 26 | AS900856 | WHEEL c/w TYRE, ECONOMY 205MM | 2 | Discontinued click here for details |
| | AS901302 | WHEEL c/w tyre, plastic bush & hubcap | 2 | Discontinued click here for details |
| | AS901307 | WHEEL c/w tyre, steel bearing | 2 | |
| 27 | AS900365 | RETAINING CLIP, FRONT AXLE | 2 | |
| 28 | AS900343 | FRONT AXLE ASSEMBLY | 1 | |
| 29 | AS900044 | HANDLE GRIP - HEIGHT ADJUSTER | 1 | |
| 30 | AS900344 | REAR AXLE ASSEMBLY | 1 | |
| 31 | AS900126 | SCREW, SELF TAP 14 X 9/16 HEX | 4 | |
| 32 | AS900346 | REAR SKIRT | 1 | |
| 33 | AS900347 | REAR FLAP BAR | 1 | |
| 34 | AS900268 | SPRING, REAR FLAP | 1 | |
| 35 | AS900348 | REAR FLAP ASSEMBLY | 1 | |
| 36 | AS900083 | SET SCREW M8 X 20 | 6 | |
| 37 | AS900177 | WASHER, PLASTIC 12MM | 4 | Discontinued click here for details |
| 38 | AS900876 | HUB COVER, BLACK 155MM | 2 | Discontinued click here for details |
| 39 | AS901005 | HEIGHT ADJUSTER SEGMENT | 1 | |
| 40 | AS900098 | COACH BOLT, 5/16 X 2 | 2 | |
| 41 | AS900349 | LOWER HANDLE, DELUXE | 1 | |
| 42 | AS901022 | CATCHER COVER | 1 | refer to catcher quick reference for colours |
| 43 | AS900038 | CABLE TIE 150MM UV BLACK | 1 | |
| 44 | AS900303 | NUT, NYLOC 6MM | 1 | |
| 45 | AS911511 | THROTTLE CONTROL ASSEMBLY | 1 | Complete with throttle cable. |
| | AS901308 | THROTTLE CONTROL ASSEMBLY | 1 | Touch'n'Mow model only |
| 46 | AS900800 | UPPER HANDLE, PLAIN | 1 | |
| | AS900430 | UPPER HANDLE, COMFORT GRIP | 1 | |
| 47 | AS900042 | SCREW, SELF TAP 1 1/2 X 10G | 1 | |
| 48 | AS901021 | CATCHER HANDLE | 1 | |
| 49 | AS901020 | CATCHER BOTTOM | 1 | refer to catcher quick reference for colours |
| 50 | AS901019 | CATCHER TOP | 1 | refer to catcher quick reference for colours |
| 51 | AS901291 | BOLT, PIGTAIL | 1 | |
| 52 | AS901310 | BAIL HANDLE | 1 | Touch'n'Mow model only |