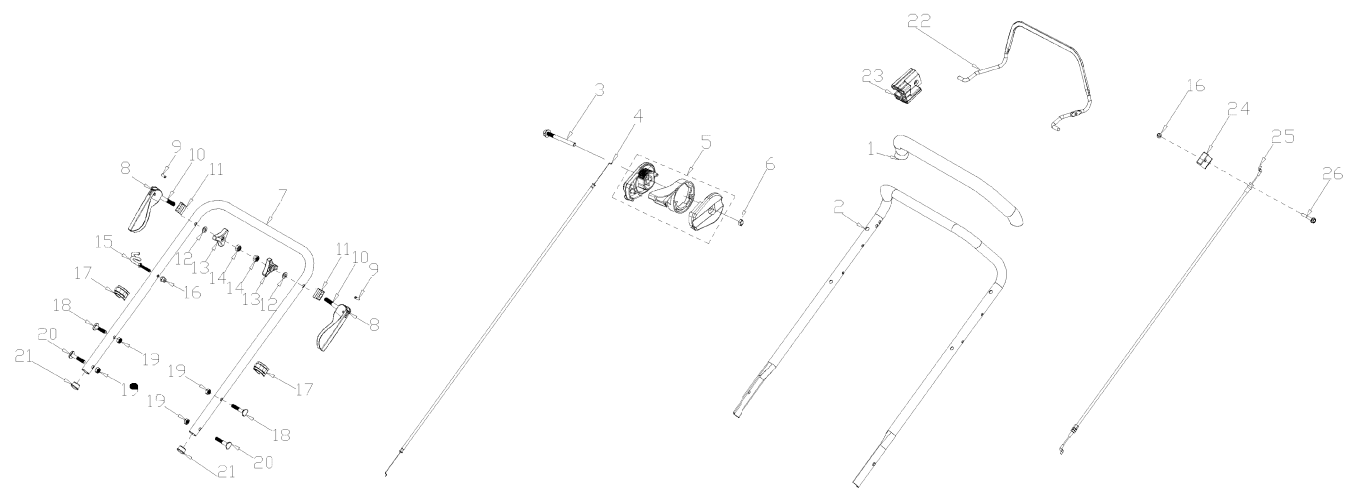
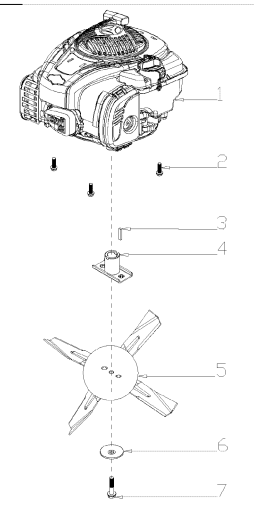
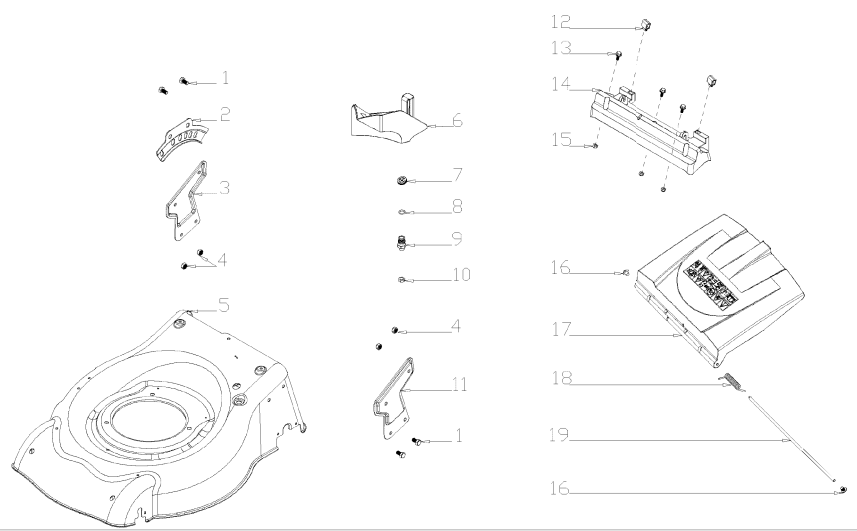
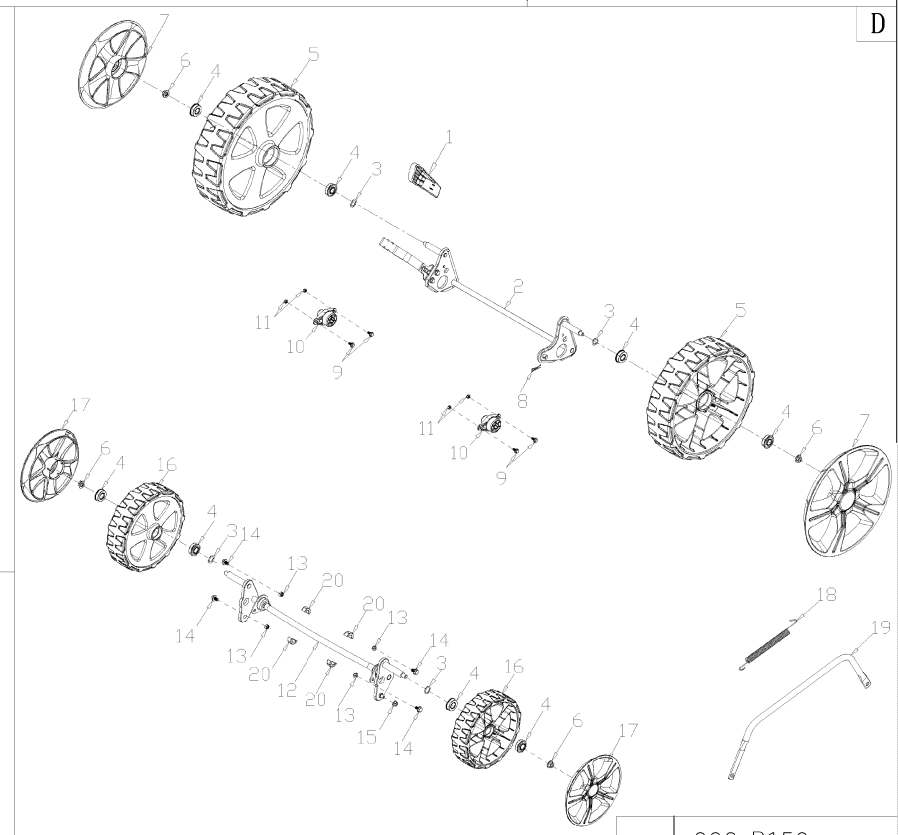
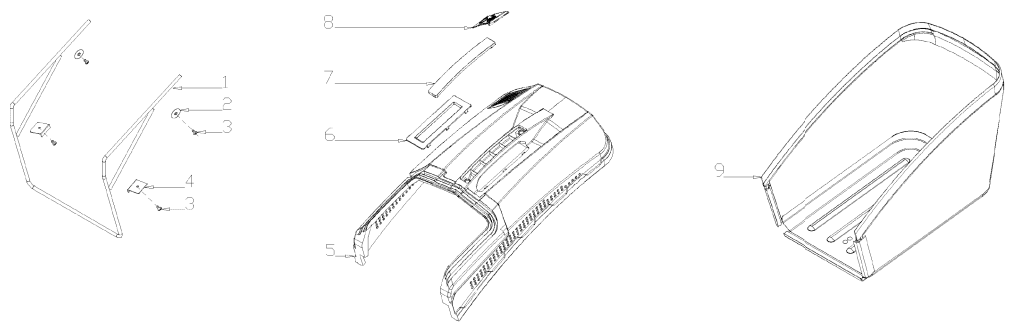


**A****B****C****D****E**

MODEL	888-B150 G46P-BS625E
NO.1782012	

# 888-B150

Pos.no.	Part no.	Description	Qty
A	<b>Part A</b>		
A-1	G3320000000	Foam Pipe	1
A-2	G333F500001	Upper Handle	1
A-3	B1048B06048	Bolt M6x48	1
A-4	G53S0000300	Cable	1
A-5	TSHZC000010	Control box	1
A-6	B2002B00000	Nut	1
A-7	G33B4000001	Lower Handle	1
A-8	G333GX00010	Control Handle	2
A-9	B8009B00000	Pin 4x16	2
A-10	G333GYX0000	Handle Pin	2
A-11	G333GY00010	Lever seat	2
A-12	B5019W00000	Flat Washer 8.5x16x1.5	2
A-13	G33C1100010	Knob	2
A-14	B2020W00000	Nut M8	2
A-15	G33K0000000	Rope Guide	1
A-16	B2011B00000	Nut M6	2
A-17	G33H2000000	Cable Support	2
A-18	B1087W08032	Bolt M8x32	2
A-19	B2009W00000	Nut M8	4
A-20	B1082W08035	Bolt M8x35	2
A-21	G33J0000000	Handle Plug	2
A-22	G3353000001	Clutch Lever	1
A-23	G3XW0000000	Limiting Stopper	1
A-24	G339X300000	Cable Fixing Clamp	1
A-25	G639XX50000	Brake Cable	1
A-26	B1066B06032	Bolt M6x32	1
B	<b>Part B</b>		
B-1	BS625EOHV00	Engine	1
B-2	B3001B00000	Bolt 3/8-16x1	3
B-3	BE001W00000	Flat Key	1
B-4	G351XXX0000	Blade adapter	1
B-5	G46P-8	Blade & Bolts Set (2 pair)	1SET
B-5-1	G351XX00000	Blade disk	1
B-5-2	G351XX46000	Blade	4
B-5-3	G351XXX0000	Bolt	4
B-5-4	B600EB00000	Washer 14x21x0.3	4
B-5-5	B5031W00000	Washer 13.2x24x3	4
B-5-6	B2005W00000	Nut M10	4
B-6	G3520000000	Blade Washer	1
B-7	B1001B00032	Bolt 3/8-24UNFx2	1
C	<b>Part C</b>		
C-1	B1036W08015	Bolt M8x15	4
C-2	G34BC000000	Height Adjustment Plate	1

C-3	G32B0000000	Right Bracket	1
C-4	B2009W00000	Nut M8	4
C-5	G3210YXA092	Deck	1
C-6	G36MA0000000	Mulching Plug	1
C-7	G32E0000000	Cable Sleeve	1
C-8	BD001B00000	Seal Ring	1
C-9	G32D0000100	Washing Linker	1
C-10	B2025B00000	Plastic Nut	1
C-11	G32C0000000	Left Bracket	1
C-12	G32J0000000	Rear Cover Support	2
C-13	B1059W06014	Bolt M6x14	3
C-14	G32A0000000	Rear Cover Pedestal	1
C-15	B2008W00000	Nut M6	3
C-16	G32K0000000	Plug	2
C-17	G46B0000010	Rear Cover	1
C-18	G36J0000000	Rear Cover Spring	1
C-19	G36E0000000	Rear Cover Shaft	1
D	<b>Part D</b>		
D-1	G3431000010	Height Adjustment Handle	1
D-2	G3490000100	Rear Wheel Shaft Assy	1
D-3	B6009B00000	Spring Washer 13x19x.05	4
D-4	B0019W00000	Ball Bearing	4
D-5	G34H1000000	8" Wheel	2
D-6	B2017W00000	Nut M8	4
D-7	G34T1000010	8" Outer Wheel Cover	2
D-8	BB004W00000	Split Pin	1
D-9	B1053W05012	Bolt M5x12	4
D-10	G34DP0000000	Large Precursor axle	2
D-11	B2007W00000	Nut M5	4
D-12	G3451Y000000	Front Wheel Shaft	1
D-13	B2008W00000	Nut M6	4
D-14	B1058W06012	Bolt M6x12	4
D-15	B2016W00000	Nut M6	1
D-16	G24F1000000	7" Wheel	2
D-17	G24R3000010	7" Wheel Cover	2
D-18	G34AX1000000	Height Adjustment Spring	1
D-19	G34100000000	Height Adjustment Connecting Rod	1
D-20	G349X0000000	Small Precursor axle	4
E	<b>Part E</b>		
E-1	G46612000000	Metal Bracket	1
E-2	B5032W00000	Flat Washer 5x32x1.2	2
E-3	B3022W00000	Screw	4
E-4	G46613000000	fixed plate	2
E-5	G4661110010	Plastic Cover	1
E-6	G3661120010	Cover Plate	1
E-7	G4661130092	Hand Cover	1
E-8	G4661120092	Indicated Board	1
E-9	G17821000000	Fabric Bag	1