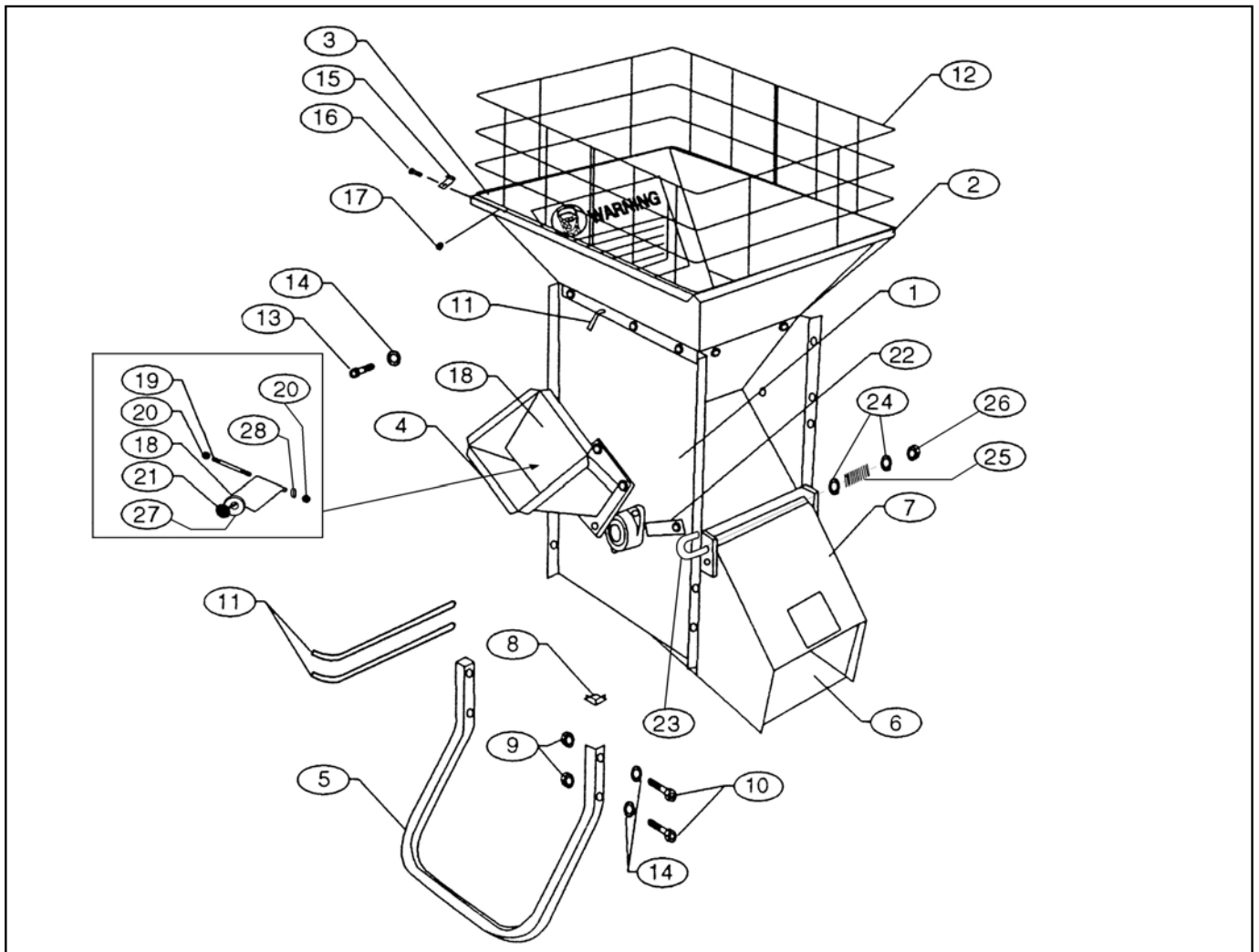


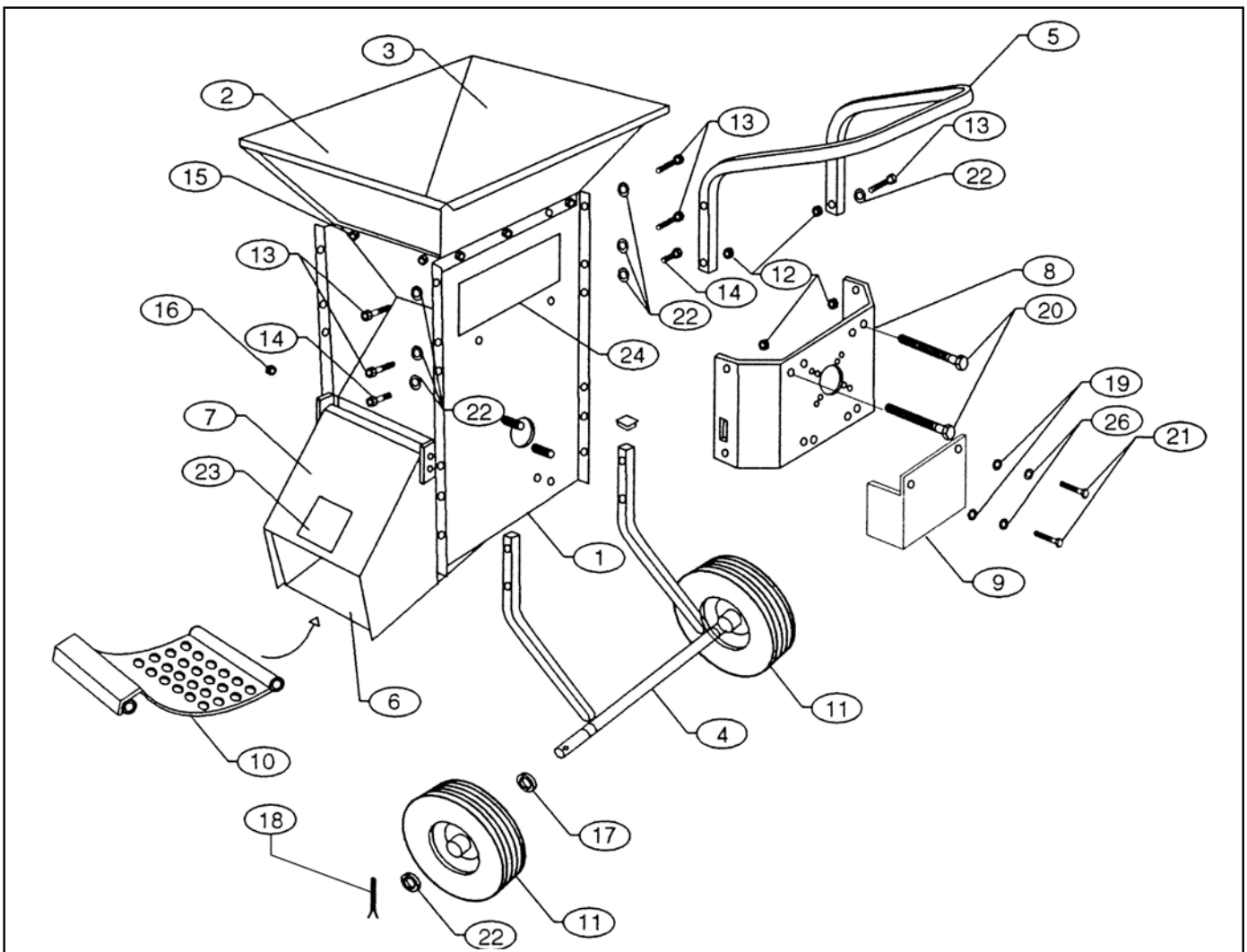
Main Chamber Assy



Item No.	Part Code	Description	Qty	Remarks
1	G5CHG	Chamber Assembly	1	
2	G5TCG	Top Hopper Assembly	1	
3	G5FLPG	Flap, Top Hopper	1	For more detail refer Illustration F
4	G5CCG	Chipper Chute	1	
5	G5LG1G	Leg	1	
6	G5BCG	Discharge Chute	1	
7	G5CBCG	Cover, Discharge Chute	1	
8	G5PLG1	Handle Tube End Plug	2	
9	G0N8MN	Nut, Nyloc 8mm	8	
10	G0B8M40	Bolt, 8 x 40mm	6	
11	G5PIND	Draw Pin	3	
12	G5CAGE1	Cage, Top Chute	1	
13	G0B8M16	Bolt, 8 x 16mm	22	
14	G0W516	Washer, Flat 5/16"	22	
15	G2CLMP	Cable Clamp	7	
16	G0B5M12	Bolt, 5 x 12mm	7	
17	G0N5NM	Nut, Nyloc 5mm	7	
18	G5CCFG	Flap, Chipper Chute	1	
19	G5RD175	Flap Rod, Chipper Chute	1	
20	G0N38THN	Nut, Nyloc 3/8" Thin	2	
21	G3KNOB1	Knob, Chipper Chute Flap	1	
22	G5CBLDG	Cover, Chipper Blade	1	
23	G5PINH	Draw Pin "Hook"	1	
24	G0W38	Washer, Flat 3/8"	2	
25	G5SPR26	Tension Spring, Draw Pin	1	
26	G0N8MN	Nut, Nyloc 8mm	1	
27	G5FELT	Felt Washer	1	
28	G5BSHPS	Flap Bush, Polycarbonate	1	

Illustration B

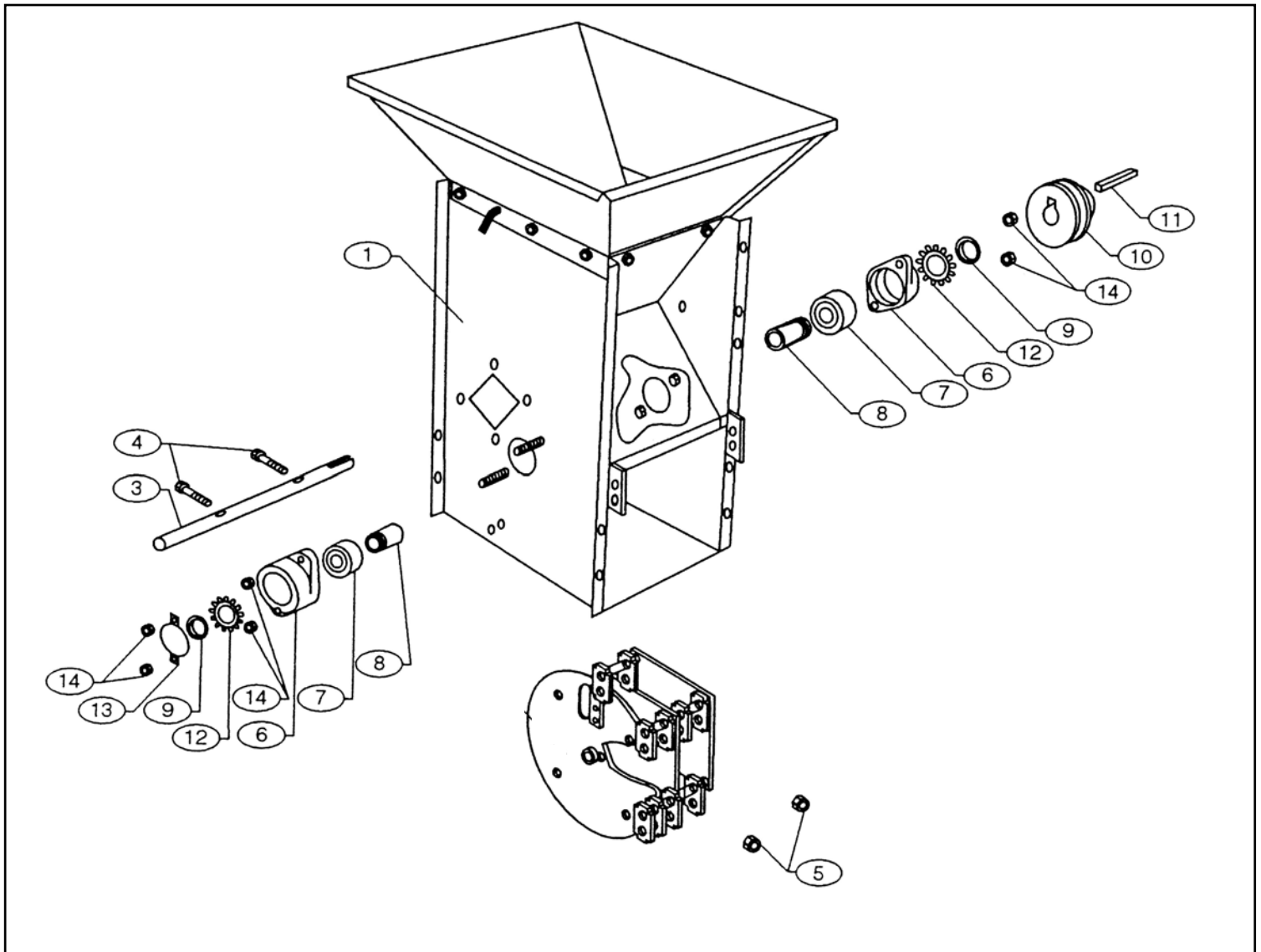
Main Chamber Assembly & Wheels - 2



Item No.	Part Code	Description	Qty	Remarks
1	G5CHG	Chamber Assembly	1	
2	G5TCG	Top Hopper Assembly	1	
3	G5FLPG	Flap, Top Hopper	1	For more detail refer Illustration F
4	G5AX1G	Axle Assembly	1	
5	G5H1G	Handle	1	
6	G5BCG	Discharge Chute	1	
7	G5CBCG	Cover, Discharge Chute	1	
8	G5ENGGP	Mounting Plate, Engine	1	
9	G5BCBG	Belt Cover, Lower	1	
10	G5G40G	Chipper Screen 40mm	1	Standard fitment
	G5G20G	Chipper Screen 20mm		Optional
	G5G40X80G	Chipper Screen 40 x 80mm		Optional
11	G5WHL10	Wheel, Pnuematic 10"	2	
12	G0N8MN	Nut,Nyloc 8mm	22	
13	G0B8M40	Bolt, 8 x 40mm	12	
14	G0B8M20	Bolt, 8 x 20mm	4	
15	G0B8M16	Bolt, 8 x 16mm	12	
16	G0NM10MN	Nut,Nyloc 10mm	2	
17	G0W22	Washer, Flat 22mm	4	
18	G0PINS	Split Pin, 1/2"	2	
19	G0WS14	Washer, Spring 1/4"	2	
20	G0B10M130	Bolt, 10 x 130mm	2	
21	G0B6M16	Bolt 6 x 16mm	2	
22	G0W516	Washer, Flat 5/16"	22	
23	G5LWCBC	Label, Warning, Bottom Chute	1	
24	AS901764	Label Supaswift Garden Pro	1	
25		Label, serial number	1	Not illustrated
26	G0W14	Washer, Plain 1/4"	2	

Illustration C

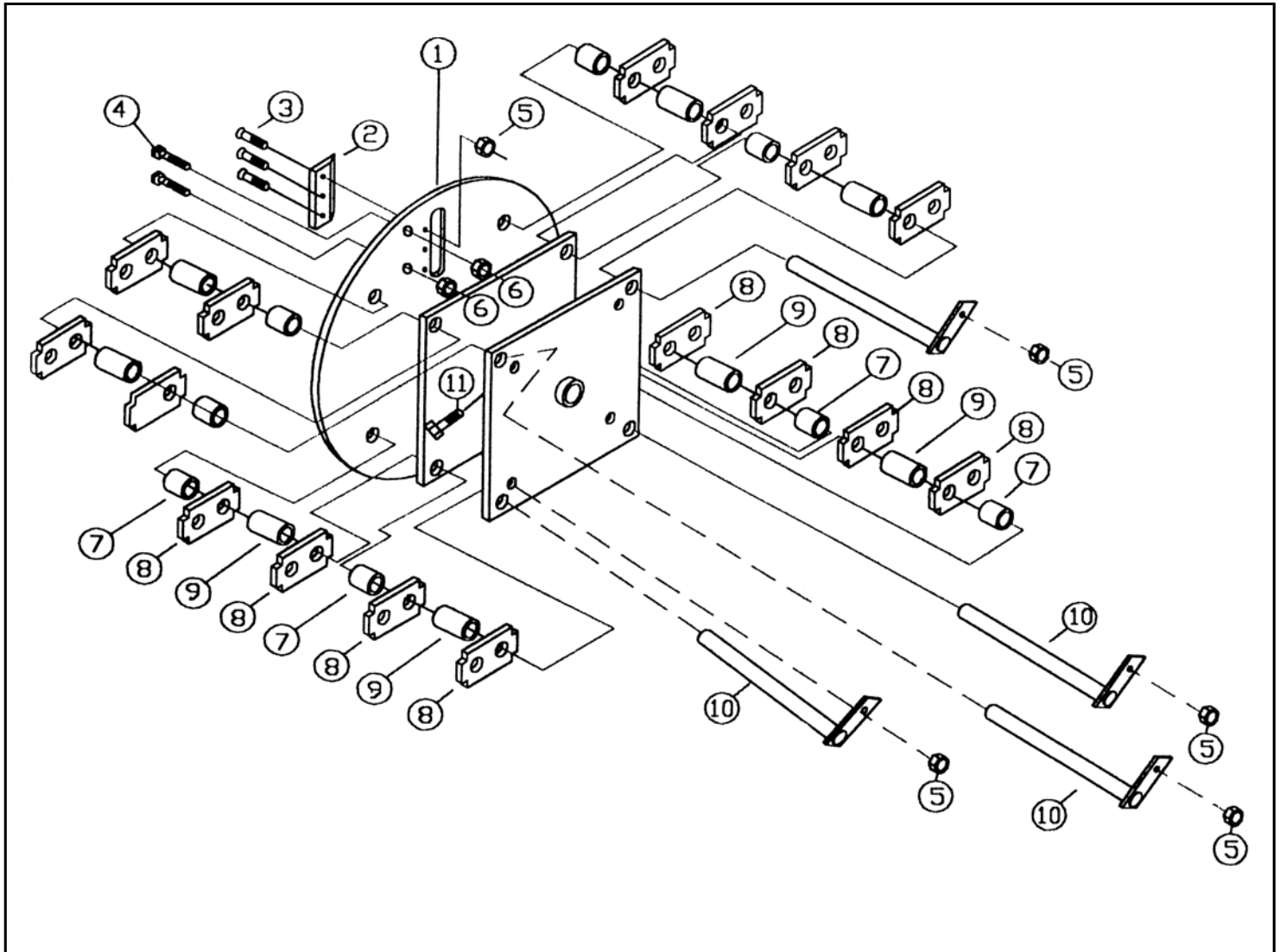
Drum Shaft & Bearing Assembly



Item No.	Part Code	Description	Qty	Remarks
1	G5CHG	Chamber Assembly	1	
		Drum Assembly	1	Discontinued
3	G5SFT1	Drum Shaft, 1"	1	
4	G0B38HT2	Bolt, 3/8 x 2" HT	2	
5	G0N38N	Nut, Nyloc 3/8"	2	
6	G5BGHC	Bearing Housing	2	
7	G5BG1	Bearing, Tapered 1"	2	
8	G5ADPT	Bearing Adaptor Assembly	2	
9	G5LN1	Bearing Locknut	2	Part of G5ADPT, not available sep.
10	G5PL4	Pulley, 4"	1	
11	G5KEY	Woodruff Key	1	
12	G5WLC	Bearing Locking Washer	2	Part of G5ADPT, not available sep.
13	G5BGG	Bearing End Guard	2	
14	G0N10MN	Nut, Nyloc 10mm	6	

Illustration D

Drum Assembly

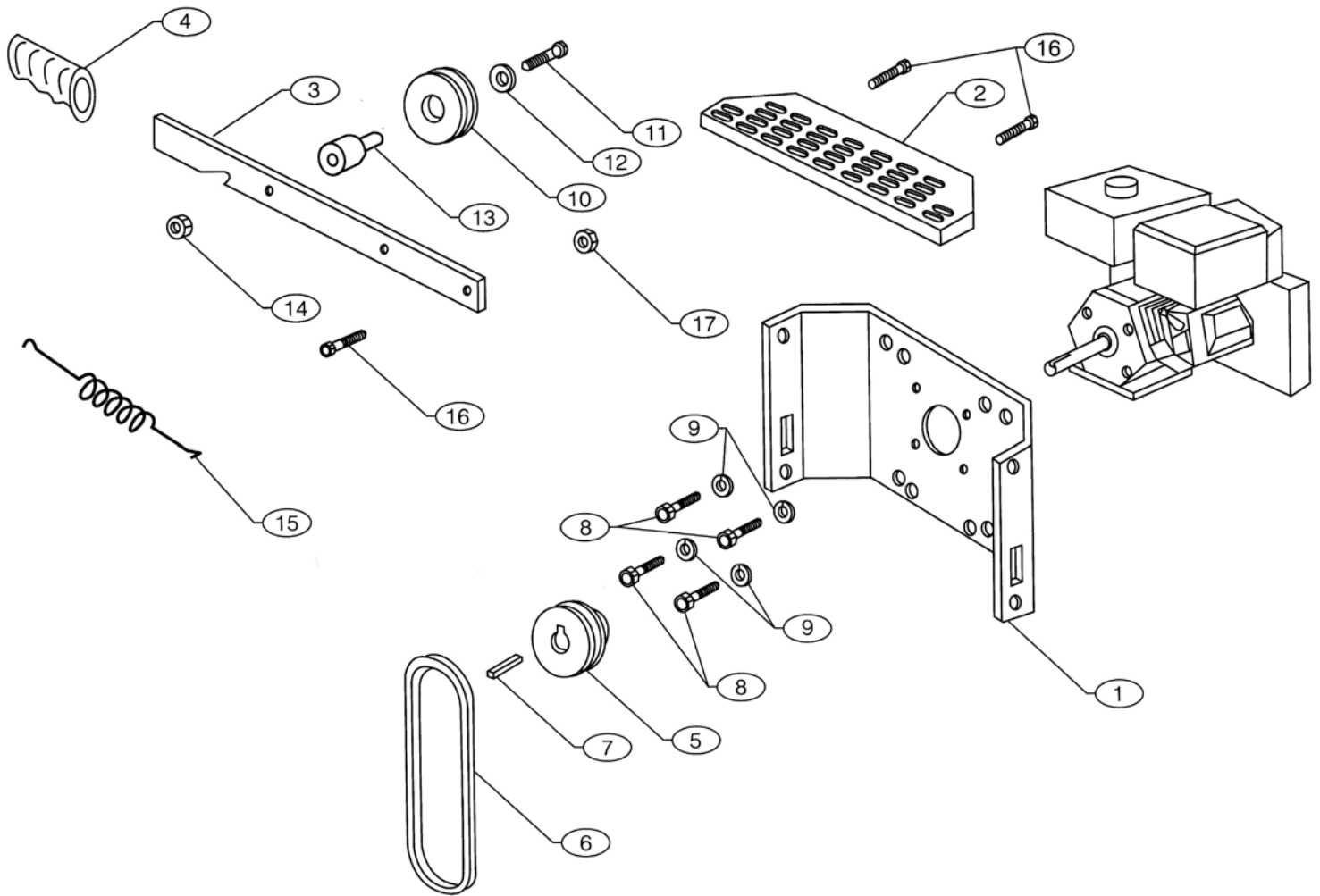


Item No.	Part Code	Description	Qty	Remarks
1	G5DRM	Chipper Drum	1	
2	G5BLD1	Chipper Blade	2	
3	G0B6HT25	Bolt, 6 x 25mm HT	6	
4	G0B14X34	Bolt, 1/4" x 3/4"	4	
5	G0N6MN	Nut, Nyloc 6mm	10	
6	G0N14N	Nut, Nyloc 1/4"	4	
7	G5SPS	Spacer, Short	8	
8	G5FL	Flail	16	
9	G5SPL	Spacer, Long	8	
10	G5RD12M	Flail Rod, Flanged	4	
11	G0B6HT16	Bolt, 6 x 16mm HT	4	

Caution - When fitting Flail Rods to Drum, bolt (item 11) must have head of bolt facing inwards and nut fitted to outer of Drum.

Illustration E

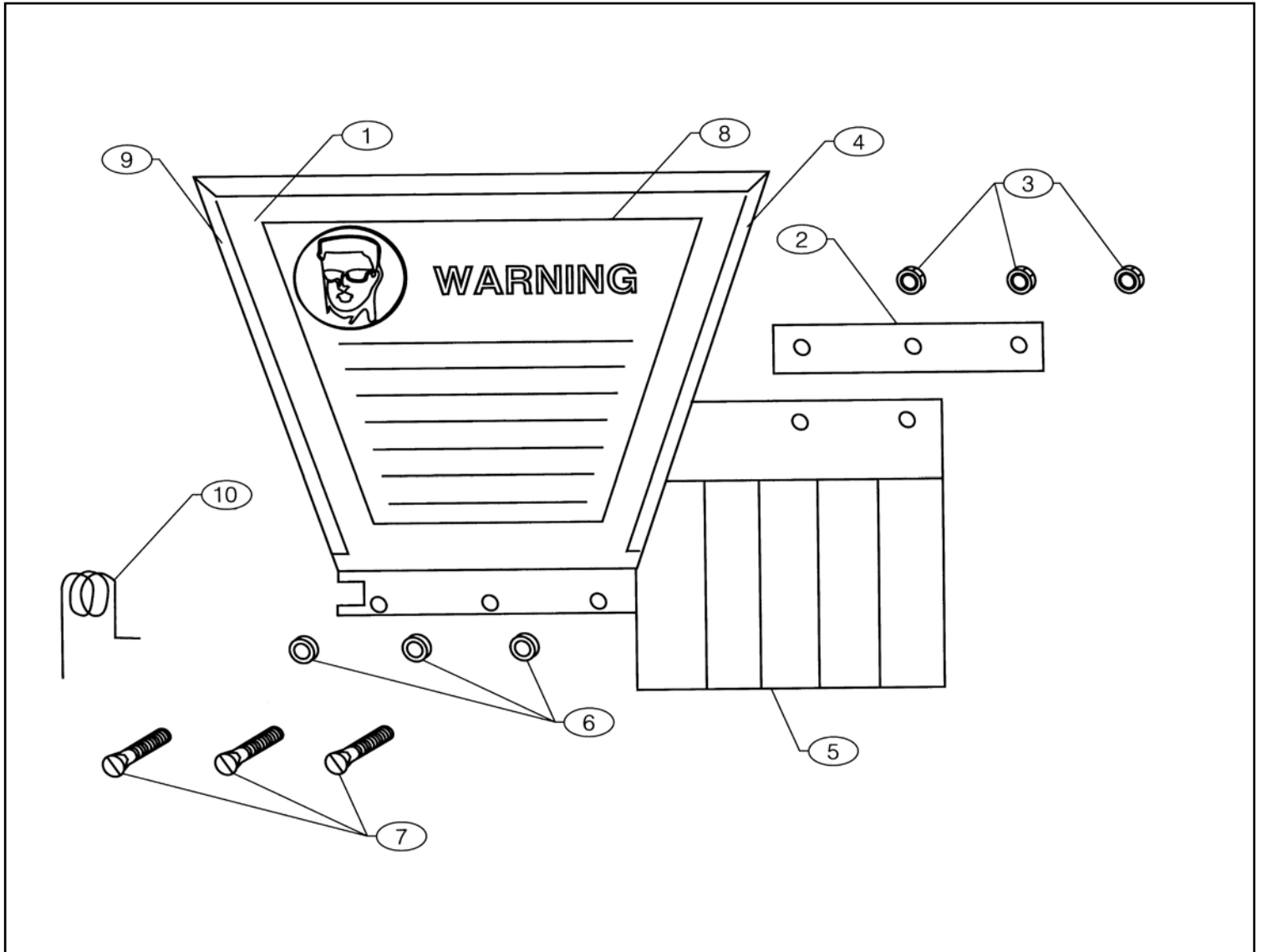
Belt Drive and Idler Assembly



Item No.	Part Code	Description	Qty	Remarks
1	G5ENGP	Mounting Plate, Engine	1	
2	G5BCT	Belt Cover, Top	1	
3	G5BAR	Idler Bar	1	
4	G2G4	Handle Grip	1	
5	G5PL4	Pulley, 4"	1	
6	G5BLT	Belt, Power Rated B27	1	
7	G5KEY	Woodruff Key, 1/4"	1	
8	G0B516HT1	Bolt Engine Mounting 5/16" x 1"	4	
9	G0WS516	Washer, Spring 5/16"	4	
10	G5IDL	Idler Pulley, 4"	1	
11	G0B8M45	Bolt, 8 x 45mm	1	
12	G0W3M	Washer, Plain 3mm Thickness	1	
13	G5BSH1	Bushing, Idler Pulley	1	
14	G0N8MN	Nut, Nyloc 8mm	1	
15	G3SPR	Tension Spring, Idler Bar	1	
16	G0B6M16	Bolt, 6 x 16mm	2	
17	G0N6MN	Nut, Nyloc 6mm	1	

Illustration F

Feed Chute Flap Assembly



Item No.	Part Code	Description	Qty	Remarks
1	GFLPG	Top Flap	1	
2	G5FBKTG	Bracket, Top Flap Rubber	1	
3	G0N6MN	Nut, Nyloc 6mm	1	
4	G5STP2	Flap Strip, Right Hand	1	
5	G5RUB	Flap Rubber	1	
6	G0W14	Washer, Plain 1/4"	3	
7	G0B6M16	Bolt, 6 x 16mm	3	
8	AS901759	Label, "Warning"	1	
9	G5STP1	Flap Strip, Left Hand	1	
10	G4SPR	Spring, Flap Return	1	