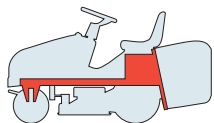


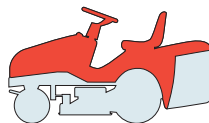
TELAIO
CHASSIS
CHASSIS
RAHMENSATZ

↪ [001](#)



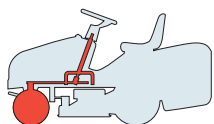
CARROZZERIA
BODY
CARROSSERIE
KARROSSERIE

J	↪ 002
JP	↪ 002a
JT	↪ 002b
JR	↪ 002c
JTP	↪ 002d
JB	↪ 002e
JX	↪ 002f



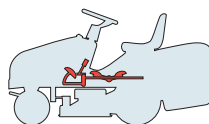
STERZO
STEERING
BARRE DE DIRECTION
LENKGETRIEBE

↪ [003](#)



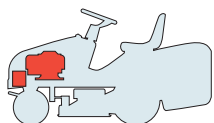
COMANDO TRASMISSIONE E FRENO
DRIVE AND BRAKE CONTROLS
COMMANDE TRANSMISSION ET FREIN
GETRIEBE UND BREMSE ANTRIEB

92	↪ 004M
92 Hydro	↪ 004Y



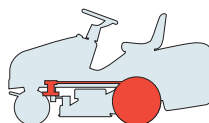
MOTORE
ENGINE
MOTEUR
MOTOR

B&S 11,5 - 12 - 12,5 13,5 HP	↪ 005
B&S 15,5 HP	↪ 005a
TECUMSEH 11,5 - 13 13,5 HP	↪ 005b
HONDA GCV 520-14 HP	↪ 005c
KOHLER 16 HP	↪ 005d



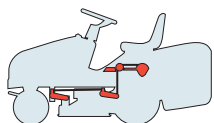
TRASMISSIONE
TRANSMISSION
TRANSMISSION
GETRIEBE

92	↪ 006M
92 Hydro	↪ 006Y



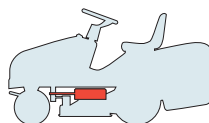
SOLLEVAMENTO PIATTO DI TAGLIO
CUTTING PLATE LIFTING
SOULEVEMENT PLATEAU DE COUPE
SCHNEIDWERKZEUG AUFHEBESATZ

↪ [007](#)



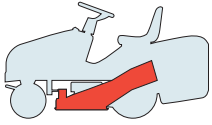
PIATTO DI TAGLIO (1)
CUTTING PLATE (1)
PLATEAU DE COUPE (1)
SCHNEIDWERKZEUG (1)

↪ [008](#)



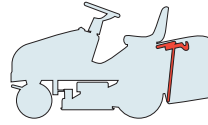
PIATTO DI TAGLIO (2)
CUTTING PLATE (2)
PLATEAU DE COUPE (2)
SCHNEIDWERKZEUG (2)

↪ [009](#)



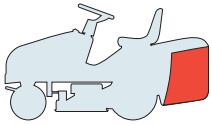
SACCO (1. - PARTE FISSA)
GRASSCATCHER (1. - FIXED PART)
BAC (1. - PARTIE FIXE)
AUFFANGSACK (1. - FESTER TEIL)

↪ [010](#)



SACCO (2. - PARTE MOBILE)
GRASSCATCHER (2. - MOBILE PART)
BAC (2. - PARTIE MOBILE)
AUFFANGSACK (2. - BEWEGLICHER TEIL)

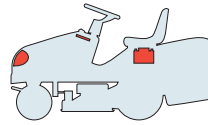
↪ [011](#)



PARTI ELETTRICHE
ELECTRICAL PARTS
PARTIES ELECTRIQUES
ELETRISCHE TEILE

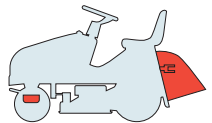
B&S-TECUMSEH-KOHLER.. ↪ [012](#)

HONDA..... ↪ [012a](#)



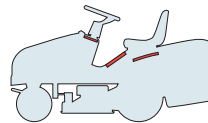
ACCESSORI A RICHIESTA
OPTIONALS ON REQUEST
ACCESSOIRES SUR DEMANDE
ZUBEHOERE NACH ANFRAGE

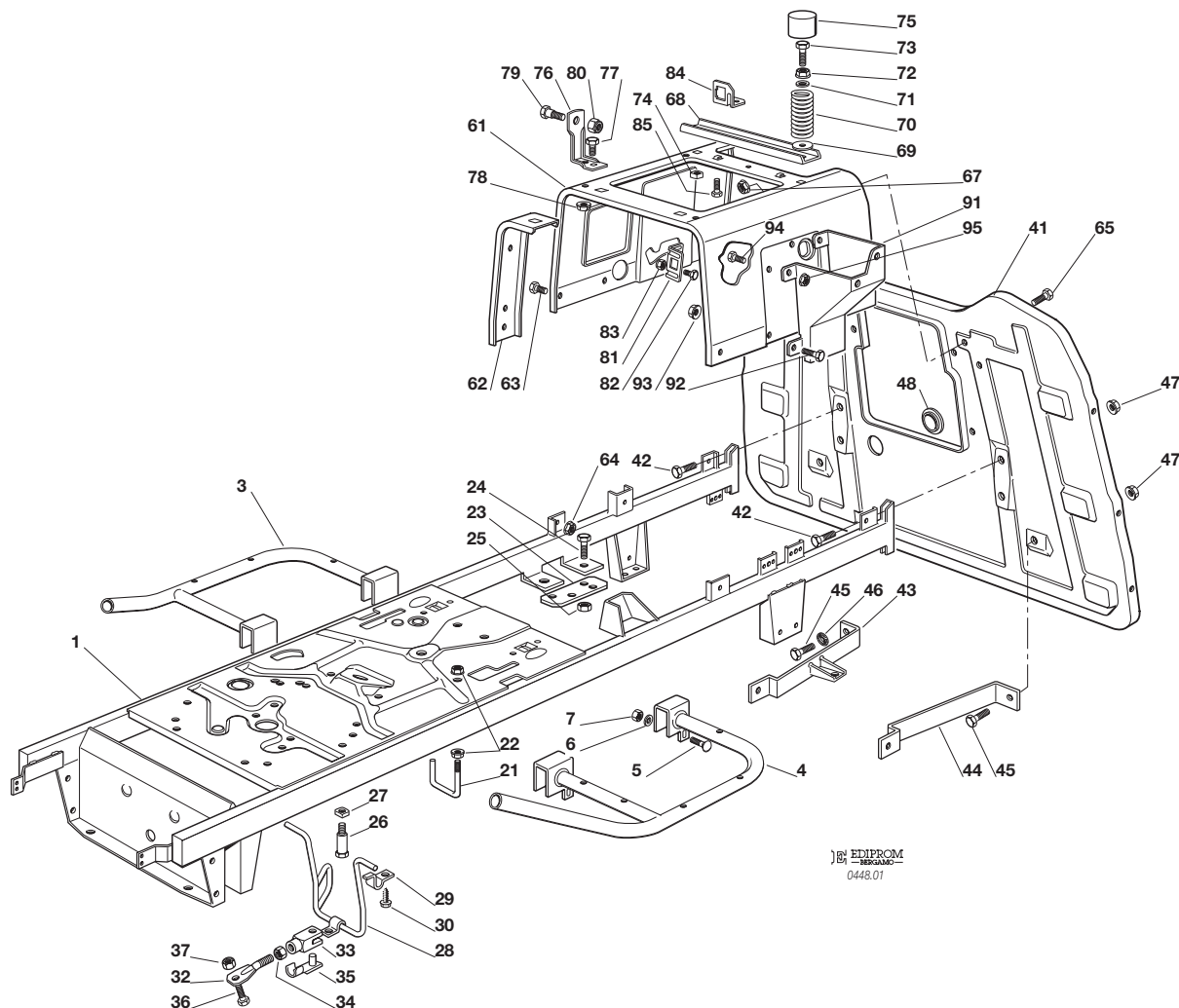
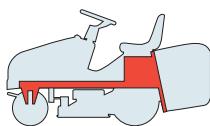
↪ [013](#)



ETICHETTE
LABELS
ETIQUETTES
KLEBZETTEL

↪ [014](#)



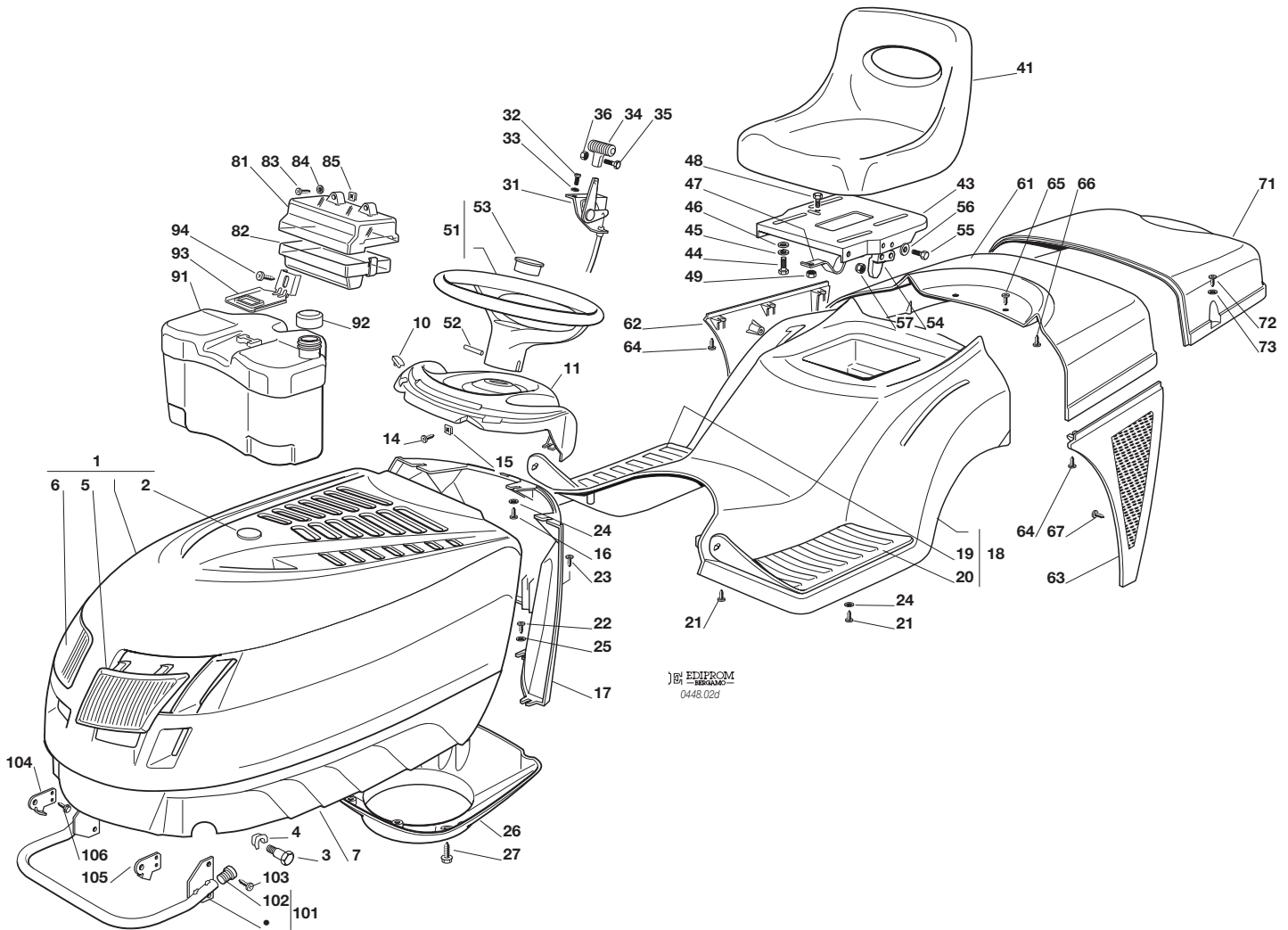
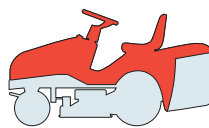


EDIPROM
0448.01

N.	CODE	Q.TY	DESCRIZIONE	DESCRIPTION	DESCRIPTION	BESCHREIBUNG
1	82800083/0	1	TELAIO	CHASSIS	CHASSIS	RAHMENSATZ
3	82800019/0	1	SUPPORTO PEDANA DESTRA	RIGHT FOOTBOARD SUPPORT	MARCHEPIED DROITE SUPPORT	RECHTE FUSSBRETTHALTER
4	82800021/0	1	SUPPORTO PEDANA SINISTRA	LEFT FOOTBOARD SUPPORT	SUPPORT MARCHEPIED GAUCHE	LINKE FUSSBRETTHALTER
5	12815240/0	4	VITE	SCREW	VIS	SCHRAUBE
6	12523040/0	4	ROSETTA	WASHER	RONDELLE	SCHEIBE
7	12154510/0	4	DADO	NUT	ECROU	MUTTER
21	25580019/0	1	PIOLO GUIDACINGHIA (hydro)	BELT GUIDE (hydro)	GUIDE DE COURROIRE (hydro)	RIEMENFÜHRUNG (hydro)
22	12292102/0	2	DADO (hydro)	NUT (hydro)	ECROU (hydro)	MUTTER (hydro)
23	25547101/0	2	PIASTRINA (hydro)	PLATE (hydro)	PLAQUETTE (hydro)	PLATTE (hydro)
24	12793102/0	2	VITE (hydro)	SCREW (hydro)	VIS (hydro)	SCHRAUBE (hydro)
25	12155000/0	2	DADO (hydro)	NUT (hydro)	ECROU (hydro)	MUTTER (hydro)
26	25580023/0	2	PIOLO GUIDACINGHIA (mecc.)	BELT GUIDE (mecc.)	GUIDE DE COURROIRE (mec.)	RIEMENFÜHRUNG (mecc.)
27	12360425/0	2	DADO (mecc.)	NUT (mecc.)	ECROU (mec.)	MUTTER (mecc.)
28	25270320/0	1	GUIDACINGHIA	BELT GUIDE	GUIDE DE COURROIRE	RIEMENFÜHRUNG
29	25774299/0	2	PIASTRINA	PLATE	PLAQUETTE	PLATTE
30	12734995/0	2	VITE	SCREW	VIS	SCHRAUBE
32	82000505/0	1	TIRANTE	TIE ROD	TIRANT	SPANNSTANGE
33	18399000/0	1	FORCELLA	FORK	FOURCHE	GABEL
34	12292100/0	1	DADO	NUT	ECROU	MUTTER
35	18210200/0	1	CLIP	CLIP	CLIP	SPERRBOLZEN
36	12793102/0	1	VITE	SCREW	VIS	SCHRAUBE
37	12154210/0	1	DADO	NUT	ECROU	MUTTER
41	82547021/3	1	PIASTRA	PLATE	PLAQUE	PLATTE
42	12792611/0	2	VITE	SCREW	VIS	SCHRAUBE
43	82650201/1	1	RINFORZO DESTRO	PLATE STIFFENING, RIGHT	RENFORCEMENT PLAQUE,	RECHTE PLATTE-



N.	CODE	Q.TY	DESCRIZIONE	DESCRIPTION	DESCRIPTION	BESCHREIBUNG
44	25650046/0	1	RINFORZO SINISTRO	PLATE STIFFENING, LEFT	REINFORCEMENT PLAQUE	LINKE PLATTE-
45	12792611/0	4	VITE	SCREW	VIS	SCHRAUBE
46	12540260/0	1	ROSETTA	WASHER	RONDELLE	SCHEIBE
47	12292102/0	6	DADO	NUT	ECROU	MUTTER
48	22110275/0	1	TAPPO	CAP	BOUCHON	TANKVERSCHLUSS
61	25785119/1	1	SUPPORTO SEDILE	SEAT SUPPORT	SUPPORT SIEGE	SITZHALTER
62	25650055/0	2	RINFORZO	PLATE STIFFENING	REINFORCEMENT PLAQUE	PLATTEVERSTAERKUG
63	12790781/0	4	VITE	SCREW	VIS	SCHRAUBE
64	12292102/0	4	DADO	NUT	ECROU	MUTTER
65	12790781/0	4	VITE	SCREW	VIS	SCHRAUBE
67	12292102/0	4	DADO	NUT	ECROU	MUTTER
68	25650056/0	1	RINFORZO	PLATE STIFFENING	REINFORCEMENT PLAQUE	PLATTEVERSTAERKUNG
69	12523060/0	2	RONDELLA	WASHER	RONDELLE	SCHEIBE
70	25430205/1	2	MOLLA	SPRING	RESSORT	FEDER
71	12521350/0	2	RONDELLA	WASHER	RONDELLE	SCHEIBE
72	12293201/0	2	DADO	NUT	ECROU	MUTTER
73	25943001/0	2	VITE	SCREW	VIS	SCHRAUBE
74	12360420/0	2	DADO	NUT	ECROU	MUTTER
75	25122000/2	2	CUFFIA	HOOD	PROTECTEUR	SCHUTZKASTEN
76	25755008/0	2	SQUADRETTA	BRACKET	EQUERRE-SUPPORT	WINKEL
77	12792611/0	2	VITE	SCREW	VIS	SCHRAUBE
78	12293201/0	2	DADO	NUT	ECROU	MUTTER
79	22524970/2	2	PERNO	PIN	PIVOT	BOLZEN
80	12155010/0	2	DADO	NUT	ECROU	MUTTER
81	25755016/0	1	SQUADRETTA	BRACKET	EQUERRE-SUPPORT	WINKEL
82	12789000/0	2	VITE	SCREW	VIS	SCHRAUBE
83	12154330/0	2	DADO	NUT	ECROU	MUTTER
84	25755025/1	1	SQUADRETTA	BRACKET	EQUERRE-SUPPORT	WINKEL
85	12731580/0	2	VITE	SCREW	VIS	SCHRAUBE
91	25785057/0	1	SUPPORTO	SUPPORT	SUPPORT	HALTER
92	12790781/0	2	VITE	SCREW	VIS	SCHRAUBE
93	12292102/0	2	DADO	NUT	ECROU	MUTTER
94	12790781/0	2	VITE	SCREW	VIS	SCHRAUBE
95	12292102/0	2	DADO	NUT	ECROU	MUTTER

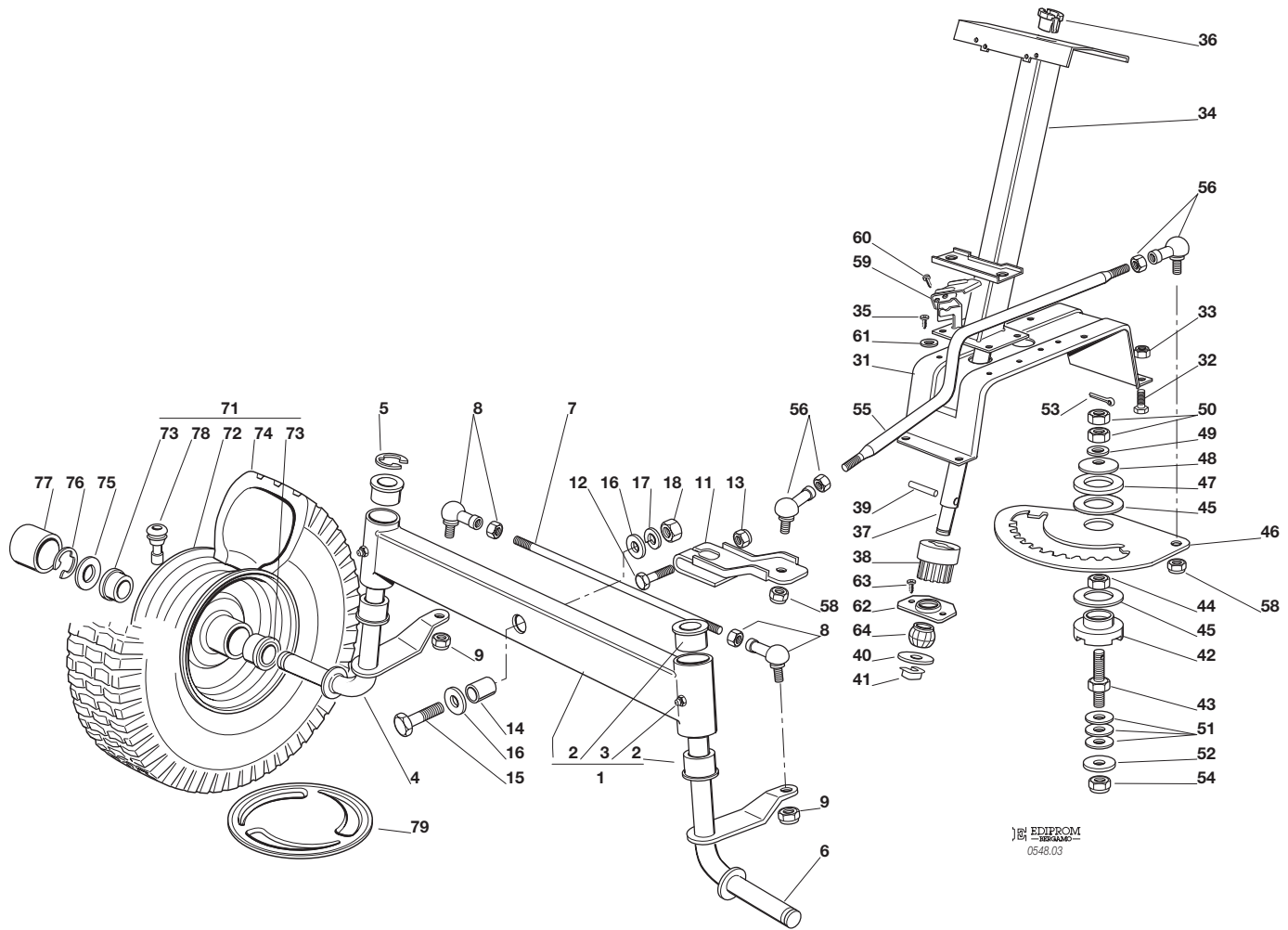
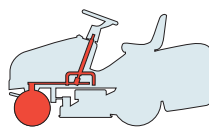


EDIPROM
-3860360
0448.02d

N.	CODE	Q.TY	DESCRIZIONE	DESCRIPTION	DESCRIPTION	BESCHREIBUNG
1	82076841/3	1	COFANO SUPERIORE ROSSO	UPPER ENGINE HOOD RED	CAPOT SUPERIEURE ROUGE	OBERHAUBESATZ ROT
	82076843/2		VERDE	GREEN	VERT	GRÜN
	82076847/2		BLU	BLUE	BLEU	BLAU
2	25547025/1	1	PIASTRINA ROSSA	PLATE RED	PLAQUE ROUGE	PLATTE ROT
	25547026/0		VERDE	GREEN	VERT	GRÜN
	25547028/0		BLU	BLUE	BLEU	BLAU
3	25510023/1	2	PERNO	PIN	PIVOT	BOLZEN
4	12436050/0	2	PIASTRINA	PLATE	PLAQUE	PLATTE
5	25410861/0	1	MASCHERINA SINISTRA	LEFT GRILL	PANNEAU GAUCHE	LINKE SCHUTZ
6	25410860/0	1	MASCHERINA DESTRA	RIGHT GRILL	PANNEAU DROITE	RECHTE SCHUTZ
7	25076808/0	1	COFANO INFERIORE	LOWER ENGINE HOOD	CAPOT INFERIEURE	UNTERHAUBESATZ
10	25260000/0	2	GOMMINO	GROMMET	PROTECTION	SCHUTZ
11	25120179/0	1	CRUSCOTTO	DASHBOARD	TABLEAU COMMANDES	KONSOLE
14	12735110/0	2	VITE	SCREW	VIS	SCHRAUBE
15	12437502/0	2	PIASTRINA	PLATE	PLAQUE	PLATTE
16	12735402/0	3	VITE	SCREW	VIS	SCHRAUBE
17	25785053/1	1	SUPPORTO CRUSCOTTO	DASHBOARD SUPPORT	SUPPORT TABLEAU COMM.	KONSOLEHALTER
18	82110001/3	1	COPERTURA RUOTE ROSSO	WHEELS COVER RED	COUVRE-ROUES ROUGE	RADENKAPPE ROT
	82110002/2		VERDE	GREEN	VERT	GRÜN
	82110004/2		BLU	BLUE	BLEU	BLAU
18	82110007/3	1	COPERTURA RUOTE (hydro) ROSSO	WHEELS COVER (hydro) RED	COUVRE-ROUES (hydro) ROUGE	RADENKAPPE (hydro) ROT
	82110008/2		VERDE	GREEN	VERT	GRÜN
	82110010/2		BLU	BLUE	BLEU	BLAU
19	25110264/1	1	COPRIPEDANA DESTRA	RIGHT FOOTBOARDCOVER	COUVRE MARCHEPIED DRO.	RECHTE FUSSBRETTDECKEL
20	25110263/1	1	COPRIPEDANA SINISTRA	LEFT FOOTBOARD COVER	COUVRE MARCHEPIED GAU.	LINKE FUSSBRETTDECKEL
21	12735410/0	6	VITE	SCREW	VIS	SCHRAUBE
22	12735402/0	4	VITE	SCREW	VIS	SCHRAUBE



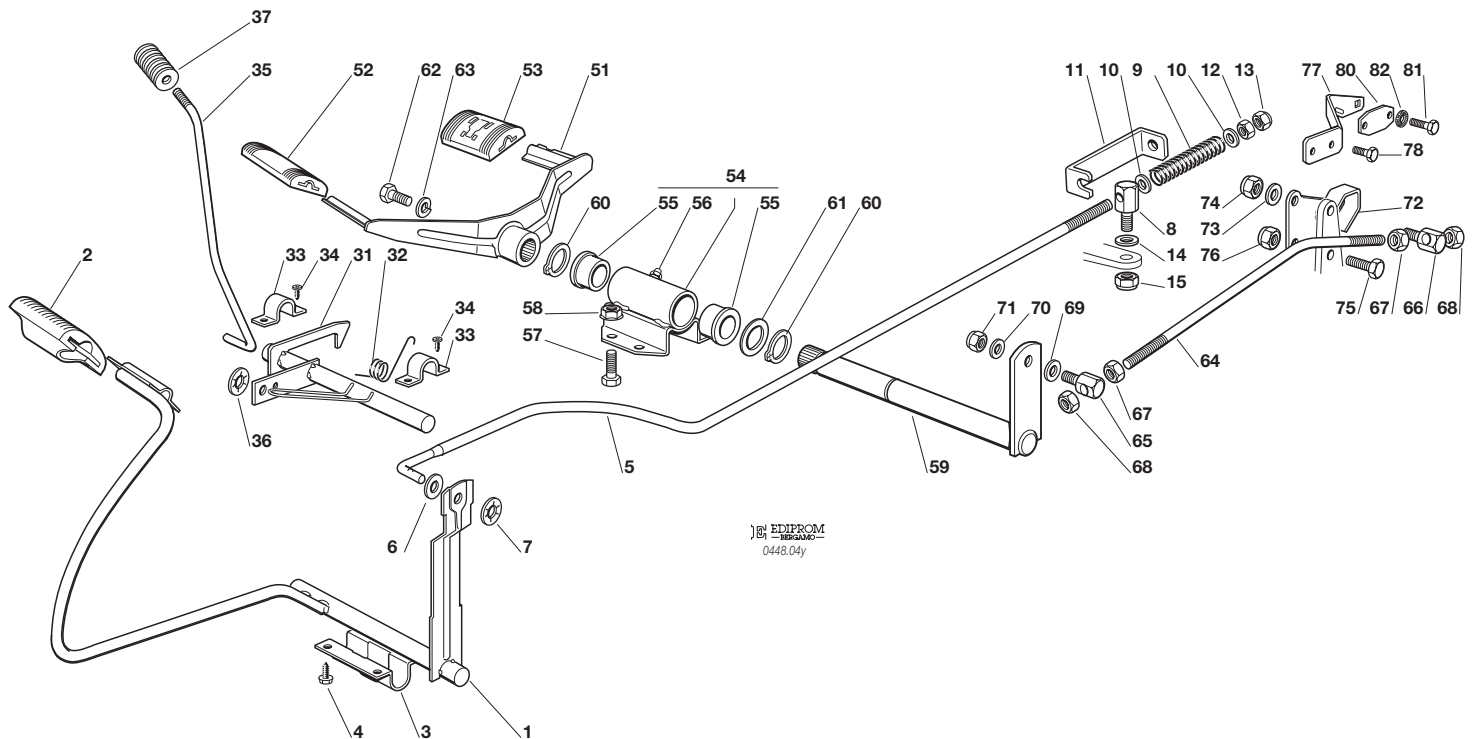
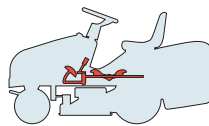
N.	CODE	Q.TY	DESCRIZIONE	DESCRIPTION	DESCRIPTION	BESCHREIBUNG
23	12728680/0	1	VITE	SCREW	VIS	SCHRAUBE
24	12523040/0	5	ROSETTA	WASHER	RONDELLE	SCHEIBE
25	12523050/0	4	ROSETTA	WASHER	RONDELLE	SCHEIBE
26	25108024/0	1	CONVOGLIATORE (4)	CONVEYOR (4)	CONVOYEUR (4)	KONVEYOR (4)
	25108028/0	1	CONVOGLIATORE (125)	CONVEYOR (125)	CONVOYEUR (125)	KONVEYOR (125)
27	12728686/0	3	VITE	SCREW	VIS	SCHRAUBE
31	82000207/0	1	ACCELERATORE	ACCELERATOR	ACCELERATEUR	GAS ZUG
32	12788512/0	2	VITE	SCREW	VIS	SCHRAUBE
33	12581200/0	2	GROWER	GROWER	GROWER	GROWER
34	25394501/0	1	MANOPOLINA	HANDLE	POIGNE	GRIFF
35	12726388/0	1	VITE	SCREW	VIS	SCHRAUBE
36	12290800/0	1	DADO	NUT	ECROU	MUTTER
41	25722453/1	1	SEDILE	SEAT	SIEGE	SITZ
43	25547033/1	1	PIASTRA	PLATE	PLAQUE	PLATTE
44	12793101/0	4	VITE	SCREW	VIS	SCHRAUBE
45	12583500/0	4	GROWER	GROWER	GROWER	GROWER
46	12523060/0	4	RONDELLA	WASHER	RONDELLE	SCHEIBE
47	25430223/2	1	MOLLA	SPRING	RESSORT	FEDER
48	12789000/0	1	VITE	SCREW	VIS	SCHRAUBE
49	12154330/0	1	DADO	NUT	ECROU	MUTTER
51	25961201/0	1	VOLANTE	STEERING WHEEL	VOLANT	LENKRAD
52	12620299/0	1	SPINA	PIN	GOUPILLE	STIFT
53	25120230/0	1	TAPPO	CAP	BOUCHON	STOPFEN
54	27063021/1	1	CAMMA	CAM	CAME	NOCKEN
55	12789100/0	2	VITE	SCREW	VIS	SCHRAUBE
56	12523020/0	2	RONDELLA	WASHER	RONDELLE	SCHEIBE
57	12154330/0	2	DADO	NUT	ECROU	MUTTER
61	25110179/1	1	COPERTURA ROSSO	COVER RED	COUVRE ROUGE	KAPPE ROT
	25110199/1		VERDE	GREEN	VERT	GRÜN
	25110201/1		BLU	BLUE	BLEU	BLAU
	25110300/0		NERO	BLACK	NOIR	SCHWARZ
62	25600033/0	1	PROTEZIONE DESTRA, NERA	RIGHT GUARD, BLACK	PROTECTION DROITE, NOIR	RECHTE SCHUTZE, SCHWARZ
63	25600034/0	1	PROTEZIONE SINISTRA, NERA	LEFT GUARD, BLACK	PROTECTION GAUCHE, NOIR	LINKE SCHUTZE, SCHWARZ
64	12735402/0	6	VITE	SCREW	VIS	SCHRAUBE
65	12734995/0	2	VITE	SCREW	VIS	SCHRAUBE
66	12735402/0	3	VITE	SCREW	VIS	SCHRAUBE
67	12735402/0	6	VITE	SCREW	VIS	SCHRAUBE
71	25110178/2	1	COPERTURA SACCO ROSSO	GRASS-CATCHER COVER RED	COUVRE-BAC ROUGE	SACKKAPPE ROT
	25110196/1		VERDE	GREEN	VERT	GRÜN
	25110198/1		BLU	BLUE	BLEU	BLAU
	25110299/0		NERO	BLACK	NOIR	SCHWARZ
72	12729601/1	4	VITE	SCREW	VIS	SCHRAUBE
73	12521331/0	4	RONDELLA	WASHER	RONDELLE	SCHEIBE
81	25600020/0	1	PROTEZIONE SUPERIORE	UPPER GUARD	PROTECTION SUPERIEUR	OBERSCHUTZ
82	25600021/1	1	PROTEZIONE INFERIORE	LOWER GUARD	PROTECTION INFERIEUR	UNTERSCHUTZ
83	12728460/0	2	VITE	SCREW	VIS	SCHRAUBE
84	12521320/0	2	ROSETTA	WASHER	RONDELLE	SCHEIBE
85	12437502/0	2	PIASTRINA	PLATE	PLAQUE	PLÄTTE
91	25735116/2	1	SERBATOIO	TANK	RESERVOIR	TANK
92	25795000/1	1	TAPPO	CAP	BOUCHON	TANKVERSCHLUSS
93	25774258/0	1	SUPPORTO	SUPPORT	SUPPORT	HALTER
94	12735110/0	1	VITE	SCREW	VIS	SCHRAUBE
101	82869006/1	1	PROTEZIONE SILENZIATORE	MUFFLER PROTECTION	PROTECTION SILENCIEUX	AUSPUFFSCHUTZ
102	18566110/0	2	PUNTALE	CAP	BOUCHON	PFROPFEN
103	12734995/0	4	VITE	SCREW	VIS	SCHRAUBE
104	25547089/0	1	PIASTRINA DESTRA	RIGHT PLATE	PLAQUE DROITE	RECHTE PLATTE
105	25547091/0	1	PIASTRINA SINISTRA	LEFT PLATE	PLAQUE GAUCHE	LINKE PLATTE
106	12731580/0	4	VITE	SCREW	VIS	SCHRAUBE



N.	CODE	Q.TY	DESCRIZIONE	DESCRIPTION	DESCRIPTION	BESCHREIBUNG
1	82034008/0	1	BILANCIERE CON BOCCOLA ED INGRASSATORE	EQUALIZER WITH BUSH AND LUBRICATOR	BALANCIER AVEC DOULIE ET GRAISSEUR	KIPPHEBEL MIT BÜCHSE UND FETTBÜCHSE
2	25034002/1	4	BOCCOLA	BUSH	DOUILLE	BÜCHSE
3	12379511/0	2	INGRASSATORE	GREASE DISPENSER	GRAISSEUR	FETTBÜCHSE
4	82230355/0	1	FUSELLO DESTRO	RIGHT STUB AXLE	FUSEAU DROITE	RECHTER ACHSSCHENKEL
5	12001000/0	1	ANELLO ELASTICO	SNAP RING	ANNEAU RESSORT	SPRENGRING
6	82230357/0	1	FUSELLO SINISTRO	LEFT STUB AXLE	FUSEAU GAUCHE	LINKER ACHSSCHENKEL
7	25840006/0	1	TIRANTE COLLEG. FUSELLI	TIE ROD	TIRANT	SPANNSTANGE
8	22746600/0	2	SNODO	JOINT	JOINT	GELENK
9	12156602/0	2	DADO	NUT	ECROU	MUTTER
11	25318142/0	1	LEVA	LEVER	LEVIER	HEBEL
12	12692390/0	1	VITE	SCREW	VIS	SCHRAUBE
13	12156602/0	1	DADO	NUT	ECROU	MUTTER
14	25160016/0	1	DISTANZIALE	SPACER	ENTRETOISE	ENTFERNUNGSSTÜCK
15	12692695/0	1	VITE	SCREW	VIS	SCHRAUBE
16	12523100/0	2	RONDELLA	WASHER	RONDELLE	SCHEIBE
17	12587100/0	1	GROWER	GROWER	GROWER	GROWER
18	12295300/0	1	DADO	NUT	ECROU	MUTTER
31	25785101/0	1	SUPPORTO	SUPPORT	SUPPORT	HALTER
32	12792611/0	4	VITE	SCREW	VIS	SCHRAUBE
33	12155000/0	4	DADO	NUT	ECROU	MUTTER
34	82785135/0	1	SUPPORTO	SUPPORT	SUPPORT	HALTER
35	12735120/0	4	VITE	SCREW	VIS	SCHRAUBE
36	25038004/0	1	BOCCOLA	BUSH	DOUILLE	BÜCHSE
37	25520004/0	1	PIANTONE	STEERING COLUMN	TUBE DE DIRECTION	LENKUNGSÄULE
38	25570000/2	1	PIGNONE	PINION	PIGNON	RITZEL
39	12622650/0	1	SPINA	PIN	GOUPILLE	STIFT
40	12521370/0	1	RONDELLA	WASHER	RONDELLE	SCHEIBE
41	12436030/0	1	PIASTRINA	PLATE	PLAQUETTE	PLATTECHEN



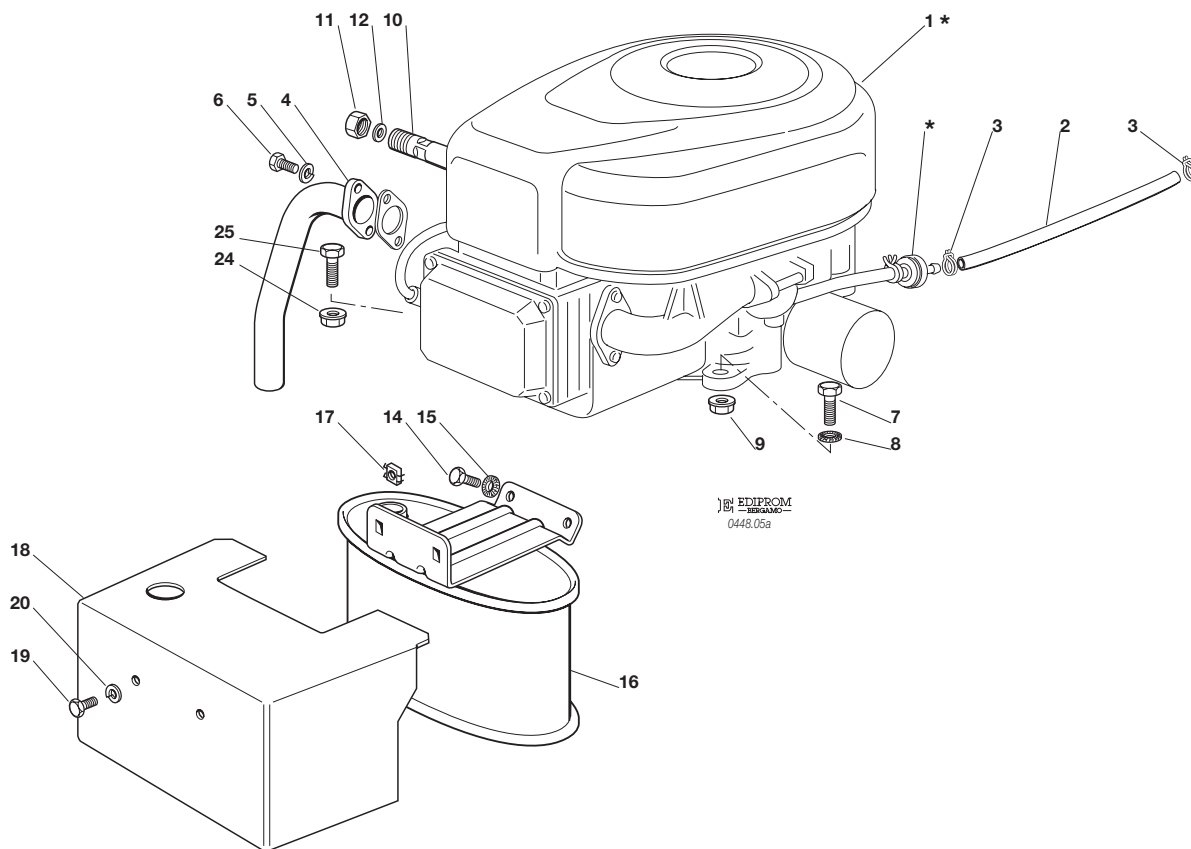
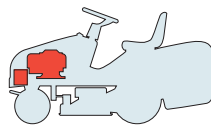
N.	CODE	Q.TY	DESCRIZIONE	DESCRIPTION	DESCRIPTION	BESCHREIBUNG
42	25040617/0	1	BUSSOLA	BUSH	DOUILLE	BÜCHSE
43	25510065/1	1	PERNO	PIN	PIVOT	BOLZEN
44	12295200/0	1	DADO	NUT	ECROU	MUTTER
45	25670012/0	2	RONDELLA	WASHER	RONDELLE	SCHEIBE
46	25735507/0	1	SETTORE	STEERING SHAFT	ARBRE DIRECTION	LENKUNGSWELLE
47	25670014/0	1	RONDELLA	WASHER	RONDELLE	SCHEIBE
48	22160400/0	1	DISCO ELASTICO	ELASTIC WASHER	DISQUE ELASTIQUE	FEDERSCHEIBE
49	12521360/0	1	ROSETTA	WASHER	RONDELLE	SCHEIBE
50	12295200/0	2	DADO	NUT	ECROU	MUTTER
51	22672150/0	3	RONDELLA	WASHER	RONDELLE	SCHEIBE
52	12523080/0	1	RONDELLA	WASHER	RONDELLE	SCHEIBE
53	12141418/0	1	COPPIGLIA	COTTER PIN	GOUPILLE	SPLIT
54	12156602/0	1	DADO	NUT	ECROU	MUTTER
55	25033025/0	1	ASTA COM. STERZO	STEERING ROD DIRECTION	LEVIER BARRE DE	LENKUNGSSTAB
56	22746600/0	2	SNODO	JOINT	JOINT	GELENK
58	12156602/0	2	DADO	NUT	ECROU	MUTTER
59	25600036/0	1	PROTEZIONE MICRO	MICRO PROTECTION	PROTECTION MICRO	SCHUTZ
60	12727810/0	2	VITE	SCREW	VIS	SCHRAUBE
61	12521330/0	2	RONDELLA (J - JP)	WASHER (J - JP)	RONDELLE (J - JP)	SCHEIBE (J - JP)
62	25785213/0	1	SUPPORTO	SUPPORT	SUPPORT	HALTER
63	12729601/1	2	VITE	SCREW	VIS	SCHRAUBE
64	25743000/0	1	SNODO	JOINT	JOINT	GELENK
71	82680002/2	2	RUOTA ANTERIORE TURF SAVER CARLISLE DELI TIRE	FRONT WHEEL TURF SAVER CARLISLE DELI TIRE	ROUE AVANT TURF SAVER CARLISLE DELI TIRE	VORDERRAD TURF SAVER CARLISLE DELI TIRE
72	82000590/0	2	CERCHIO RUOTA	RIMM	BANDAGE ROUE	VORDERRAD FELGER
73	25122200/2	4	CUSCINETTO	BEARING	ROULEMENT	LAGER
74	25590000/0	2	PNEUMATICO TURF SAVER CARLISLE DELI TIRE	SHOE TURF SAVER CARLISLE DELI TIRE	PNEU TURF SAVER CARLISLE DELI TIRE	REIFEN TURF SAVER CARLISLE DELI TIRE
75	25670005/1	2	RONDELLA	WASHER	RONDELLE	SCHEIBE
76	12001000/0	2	ANELLO ELASTICO	SNAP RING	ANNEAU RESSORT	SPRENGRING
77	22110230/0	2	COPRIMOZZO	HUB COVER	COUVRE MOYEU	NABEDECKEL
78	25950000/0	2	VALVOLA	VALVE	SOUPAPE	VENTIL
79	82110252/0	2	COPRIMOZZO	HUB COVER	COUVRE MOYEU	NABEDECKEL



N.	CODE	Q.TY	DESCRIZIONE	DESCRIPTION	DESCRIPTION	BESCHREIBUNG
1	82500017/0	1	PEDALE	PEDAL	PEDAL	PEDAL
2	25110267/0	1	COPRISTAFFA	CLAMP COVER	COUVRE ETRIER	BRIDEDECKEL
3	25547039/0	1	PIASTRINA	PLATE	PLAQUE	PLATTE
4	12731601/0	4	VITE	SCREW	VIS	SCHRAUBE
5	25033041/0	1	ASTA	ROD	BARRE	STANGE
6	12521350/0	1	ROSETTA	WASHER	RONDELLE	SCHEIBE
7	12604899/0	1	FISSATORE A CORONA	CROWN FASTENER	FIXATEUR A COURONNE	KRONESCHEIBE
8	25510067/1	1	PERNO	PIN	PIVOT	BOLZEN
9	25430236/0	1	MOLLA	SPRING	RESSORT	FEDER
10	12521360/0	2	ROSETTA	WASHER	RONDELLE	SCHEIBE
11	25774275/0	1	STAFFA	CLAMP	ETRIER	BRIDE
12	12295200/0	1	DADO	NUT	ECROU	MUTTER
13	12156602/0	1	DADO	NUT	ECROU	MUTTER
14	12521350/0	1	RONDELLA	WASHER	RONDELLE	SCHEIBE
15	12155000/0	1	DADO	NUT	ECROU	MUTTER
31	82000361/0	1	ASSE AZIONAM. MICRO	AXLE	AXE	ACHSE
32	25430234/0	1	MOLLA	SPRING	RESSORT	FEDER
33	25547049/0	2	PIASTRINA	PLATE	PLAQUE	PLATTE
34	12731601/0	4	VITE	SCREW	VIS	SCHRAUBE
35	25033043/0	1	ASTA	ROD	BARRE	STANGE
36	12604898/0	1	FISSATORE A CORONA	CROWN FASTENER	FIXATEUR A COURONNE	KRONESCHEIBE
37	27395050/1	1	MANOPOLA	KNOB	POIGNEE	KNOPF
51	82500008/0	1	PEDALE AVANZAMENTO	DRIVE PEDAL	PEDALE TRANSMISSION	GETRIEBEPEDAL
52	25110265/0	1	COPRISTAFFA ANTERIORE	CLAMP COVER FRONT	COUVRE ETRIER AVANT	BRIDEDECKEL VORDE
53	25110266/0	1	COPRISTAFFA POSTERIORE	CLAMP COVER REAR	COUVRE ETRIER ARRIERE	BRIDEDECKEL HINTER
54	82785110/0	1	SUPPORTO	SUPPORT	SUPPORT	HALTER
55	25034002/1	2	BRONZINA	BUSH	DOUILLE	BÜCHSE

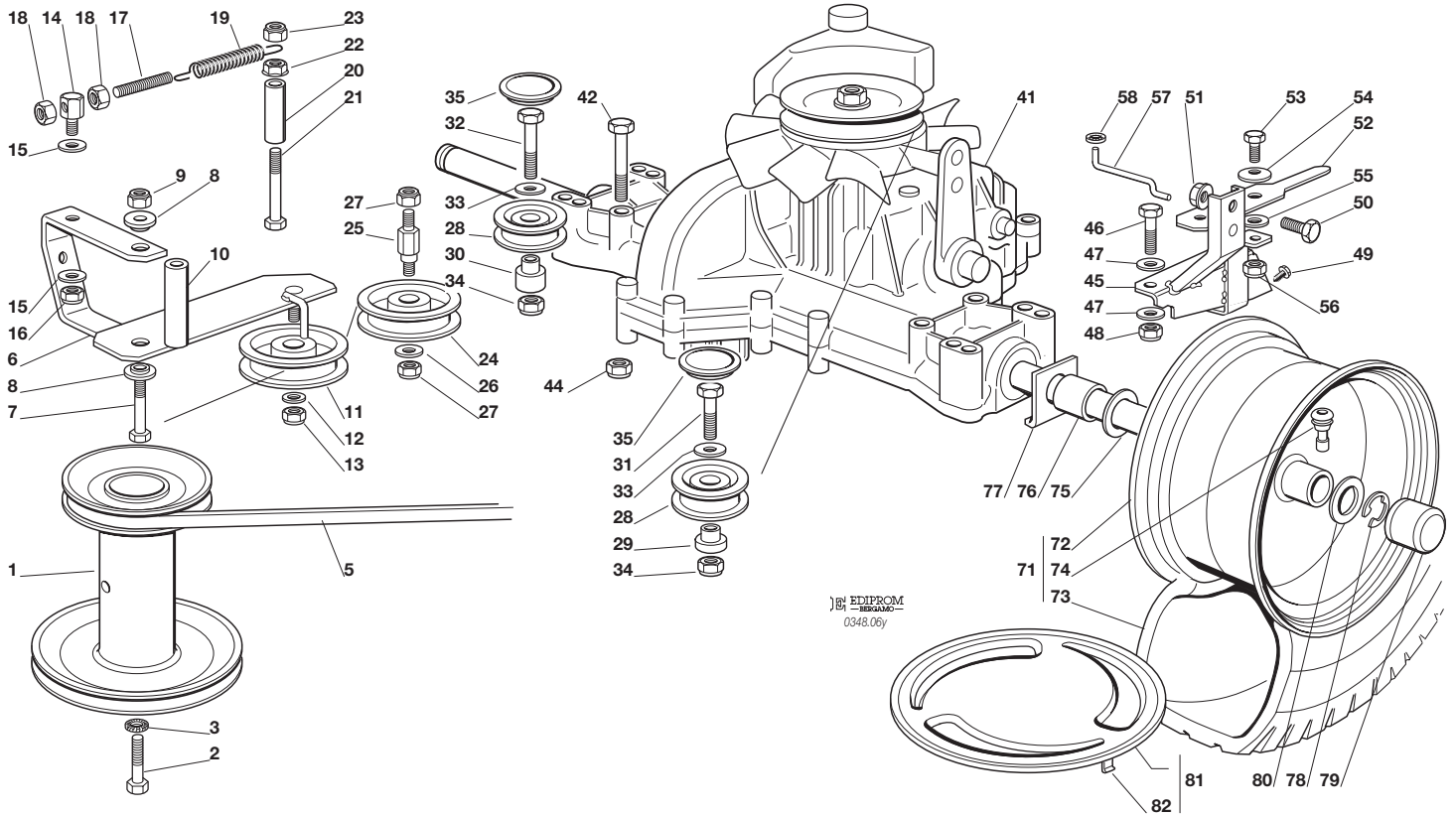
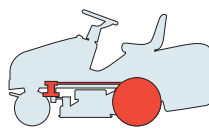


N.	CODE	Q.TY	DESCRIZIONE	DESCRIPTION	DESCRIPTION	BESCHREIBUNG
56	12379511/0	1	INGRASSATORE	GREASE DISPENSER	GRAISSEUR	FETTBÜCHSE
57	12791011/0	2	VITE	SCREW	VIS	SCHRAUBE
58	12292102/0	2	DADO	NUT	ECROU	MUTTER
59	82318183/0	1	LEVA	GEARSHIFT	LEVIER	HEBEL
60	12609260/0	2	SEEGER	SEEGER	SEEGER	SEEGER
61	22672153/0	1	RONDELLA	WASHER	RONDELLE	SCHEIBE
62	12792612/0	1	VITE	SCREW	VIS	SCHRAUBE
63	12583501/0	1	GROWER	GROWER	GROWER	GROWER
64	25033042/0	1	ASTA	ROD	BARRE	STANGE
65	25510054/0	1	PERNO	PIN	PIVOT	BOLZEN
66	25510066/0	1	PERNO	PIN	PIVOT	BOLZEN
67	12293200/0	2	DADO	NUT	ECROU	MUTTER
68	12155000/0	2	DADO	NUT	ECROU	MUTTER
69	12521360/0	1	RONDELLA	WASHER	RONDELLE	SCHEIBE
70	12523040/0	1	RONDELLA	WASHER	RONDELLE	SCHEIBE
71	12154510/0	1	DADO	NUT	ECROU	MUTTER
72	82774231/0	1	CAMMA	CAM	CAME	KAMM
73	12523040/0	1	RONDELLA	WASHER	RONDELLE	SCHEIBE
74	12154510/0	1	DADO	NUT	ECROU	MUTTER
75	12791213/1	1	VITE	SCREW	VIS	SCHRAUBE
76	12154510/0	1	DADO	NUT	ECROU	MUTTER
77	25774289/0	1	STAFFA	CLAMP	ETRIER	BRIDE
78	12735110/0	2	VITE	SCREW	VIS	SCHRAUBE
80	27546019/0	1	PIASTRINA	PLATE	PLAQUETTE	PLATTE
81	12735602/0	2	VITE	SCREW	VIS	SCHRAUBE
82	12540020/0	2	RONDELLA	WASHER	RONDELLE	SCHEIBE



N.	CODE	Q.TY	DESCRIZIONE	DESCRIPTION	DESCRIPTION	BESCHREIBUNG
1*	—	1	MOTORE	ENGINE	MOTEUR	MOTOR
2	25869016/1	1	TUBO COLLEGAMENTO	CONNECTING TUBE	TUBE DE CONNEXION	VERBINDUNGSROHR
3	18375051/1	2	FASCETTA	FAIR LED	FIXATION DE CABLE	KABELBEFESTIGUNG
4	18738206/0	1	TUBO SCARICO	EXHAUST TUBE	TUBE ECHAPPEMENT	ABGASUNGROHR
5	12583500/0	2	GROWER	GROWER	GROWER	GROWER
6	12735530/0	2	VITE	SCREW	VIS	SCHRAUBE
7	12691115/0	1	VITE	SCREW	VIS	SCHRAUBE
8	12540260/0	1	RONDELLA	WASHER	RONDELLE	SCHEIBE
9	12154210/0	1	DADO	NUT	ECROU	MUTTER
10	25598050/0	1	PROLUNGA SCARICO OLIO	OIL DISCHARGE EXTENSION	EXTENSION DECH. HUILE	ÖL ABFLUSS
11	18737849/0	1	TAPPO PROLUNGA	OIL CAP	BOUCHON HUILE	OELVERSCHLUSS
12	18401001/1	1	GUARNIZIONE	OIL SEAL	GARNITURE	DICHTUNG
14	12793102/0	2	VITE	SCREW	VIS	SCHRAUBE
15	12540260/0	2	RONDELLA	WASHER	RONDELLE	SCHEIBE
16	82750004/0	1	SILENZIATORE	MUFFLER	SILENCEUX	AUSPUFF
17	12360425/0	2	DADO	NUT	ECROU	MUTTER
18	82598009/2	1	PROTEZIONE	GUARD	PROTECTION	SCHUTZE
19	12792611/0	2	VITE	SCREW	VIS	SCHRAUBE
20	12583500/0	2	GROWER	GROWER	GROWER	GROWER
24	12154210/0	3	DADO	NUT	ECROU	MUTTER
25	12691100/0	3	VITE	SCREW	VIS	SCHRAUBE

PER LA SOSTITUZIONE DELLE PARTI CONTRASSEGNAE CON «*» RIVOLGERSI AL SERVIZIO ASSISTENZA DEL COSTRUTTORE DEL MOTORE.
 TO REPLACE THE PARTS MARKED «*» SEEK ASSISTANCE FROM THE ENGINE MANUFACTURER'S AFTER SALES SERVICE.
 POUR LE REMPLACEMENT DES PIÈCES MARQUÉES AVEC «*» S'ADRESSER AU SERVICE APRÈS VENTES DU CONSTRUCTEUR DU MOTEUR.
 ZUM AUSTAUSCH DER MIT «*» GEKENNZEICHNETEN TEILE, WENDEN SIE SICH AN DEN KUNDENDIENST DES HERSTELLERS DES MOTOR.

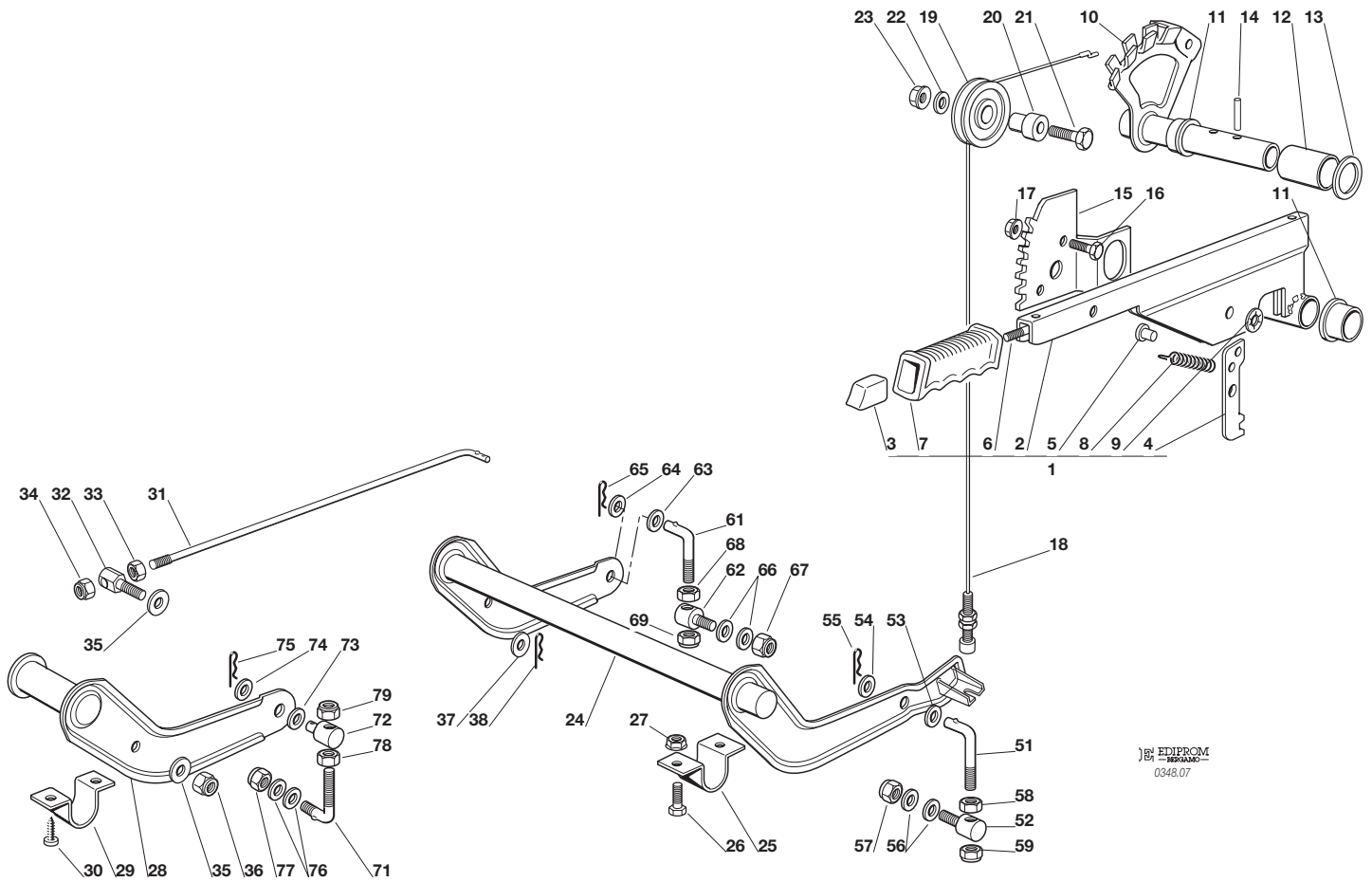
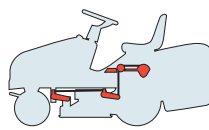


N.	CODE	Q.TY	DESCRIZIONE	DESCRIPTION	DESCRIPTION	BESCHREIBUNG
1	25601548/1	1	PULEGGIA	PULLEY	POULIE	RIEMENSCHLEIBE
2	12737310/0	1	VITE	SCREW	VIS	SCHRAUBE
3	12543000/0	1	ROSETTA	WASHER	RONDELLE	SCHLEIBE
5	35061980/0	1	CINGHIA	BELT	COURROIE	RIEMEN
6	82318133/0	1	LEVA	LEVER	LEVIER	HEBEL
7	12692080/0	1	VITE	SCREW	VIS	SCHRAUBE
8	25038002/1	2	BOCCOLA	BUSH	DOUILLE	BÜCHSE
9	12155000/0	1	DADO	NUT	ECROU	MUTTER
10	25160017/0	1	DISTANZIALE	SPACER	ENTRETOISE	ENTFERNUNGSSTÜCK
11	25601554/0	1	PULEGGIA	PULLEY	POULIE	RIEMENSCHLEIBE
12	12523060/0	1	RONDELLA	WASHER	RONDELLE	SCHLEIBE
13	12155000/0	1	DADO	NUT	ECROU	MUTTER
14	25510040/1	1	PERNO	PIN	PIVOT	BOLZEN
15	25670011/0	2	RONDELLA	WASHER	RONDELLE	SCHLEIBE
16	12155000/0	1	DADO	NUT	ECROU	MUTTER
17	25840005/0	1	TIRANTE	TIE ROD	TIRANT	SPANNSTANGE
18	12293200/0	2	DADO	NUT	ECROU	MUTTER
19	25430219/0	1	MOLLA	SPRING	RESSORT	FEDER
20	25160008/0	1	DISTANZIALE	SPACER	ENTRETOISE	ENTFERNUNGSSTÜCK
21	12692050/0	1	VITE	SCREW	VIS	SCHRAUBE
22	12293201/0	1	DADO	NUT	ECROU	MUTTER
23	12155000/0	1	DADO	NUT	ECROU	MUTTER
24	25601555/0	1	PULEGGIA	PULLEY	POULIE	RIEMENSCHLEIBE
25	25510036/1	1	PERNO	PIN	PIVOT	BOLZEN
26	12523060/0	1	RONDELLA	WASHER	RONDELLE	SCHLEIBE
27	12155000/0	2	DADO	NUT	ECROU	MUTTER
28	25601570/0	2	PULEGGIA	PULLEY	POULIE	RIEMENSCHLEIBE
29	25160030/0	1	DISTANZIALE SINISTRO	LEFT SPACER	ENTRETOISE GAUCHE	LINKER ENTFERNUNGSSTÜCK
30	25160024/1	1	DISTANZIALE DESTRO	RIGHT SPACER	ENTRETOISE DROITE	RECHTER ENTFERNUNGSSTÜCK



N.	CODE	Q.TY	DESCRIZIONE	DESCRIPTION	DESCRIPTION	BESCHREIBUNG
31	12691115/0	1	VITE SINISTRA	LEFT SCREW	VIS GAUCHE	LINKE SCHRAUBE
32	12691400/0	1	VITE DESTRA	RIGHT SCREW	VIS DROITE	RECHTE SCHRAUBE
33	12523060/0	2	RONDELLA	WASHER	RONDELLE	SCHEIBE
34	12155000/0	2	DADO	NUT	ECROU	MUTTER
35	25109521/1	2	COPERCHIO	COVER	COUVERCLE	DECKEL
41*	18400960/0	1	ASSE POSTERIORE Tuff Torq K46S	REAR AXLE Tuff Torq K46S	AXE ARRIERE Tuff Torq K46S	HINTERACHSE Tuff Torq K46S
42	12691800/0	4	VITE	SCREW	VIS	SCHRAUBE
44	12154210/0	4	DADO	NUT	ECROU	MUTTER
45	82785117/0	1	SUPPORTO	SUPPORT	SUPPORT	HALTER
46	12691200/0	1	VITE	SCREW	VIS	SCHRAUBE
47	12521350/0	2	RONDELLA	WASHER	RONDELLE	SCHEIBE
48	12155000/0	1	DADO	NUT	ECROU	MUTTER
49	12735120/0	2	VITE	SCREW	VIS	SCHRAUBE
50	12792611/0	1	VITE	SCREW	VIS	SCHRAUBE
51	12293201/0	1	DADO	NUT	ECROU	MUTTER
52	25318157/0	1	LEVA	LEVER	LEVIER	HEBEL
53	12793102/0	1	VITE	SCREW	VIS	SCHRAUBE
54	12369500/0	1	DISCO ELASTICO	ELASTIC WASHER	DISQUE ELASTIQUE	FEDERSCHEIBE
55	25670011/0	1	RONDELLA	WASHER	RONDELLE	SCHEIBE
56	12155000/0	1	DADO	NUT	ECROU	MUTTER
57	25033033/0	1	ASTA	ROD	BARRE	STANGE
58	12604896/0	1	FISSATORE A CORONA	CROWN FASTENER	FIXATEUR A COURONNE	KRONESCHEIBE
71	82680003/0	2	RUOTA POSTERIORE TURF SAVER CARLISLE	REAR WHEEL TURF SAVER CARLISLE	ROUE ARRIERE TURF SAVER CARLISLE	HINTERRAD TURF SAVER CARLISLE
	82680006/0		DELI TIRE	DELI TIRE	DELI TIRE	DELI TIRE
72	82000592/0	2	CERCHIO RUOTA	RIMM	BANDAGE ROUE	HINTRERRAD FELGER
73	25590001/0	2	PNEUMATICO TURF SAVER CARLISLE	SHOE TURF SAVER CARLISLE	PNEU TURF SAVER CARLISLE	REIFEN TURF SAVER CARLISLE
	25590003/0		DELI TIRE	DELI TIRE	DELI TIRE	DELI TIRE
74	25950000/0	2	VALVOLA	VALVE	SOUPAPE	VENTIL
75	12521410/0	2-4	RONDELLA	WASHER	RONDELLE	SCHEIBE
76	25160031/0	2	DISTANZIALE	SPACER	ENTRETOISE	ENTFERNUNGSSTÜCK
77	25670017/0	2	RONDELLA	WASHER	RONDELLE	SCHEIBE
78	12001010/0	2	ANELLO ELASTICO	SNAP RING	ANNEAU RESSORT	SPRENGRING
79	22110230/0	2	COPRIMOZZO	HUB COVER	COUVRE MOYEU	NABEDECKEL
80	25670005/1	2	RONDELLA	WASHER	RONDELLE	SCHEIBE
81	82110253/0	2	COPRIRUOTA POST.	REAR WHEEL DECK	COUVRE ROUE POST.	HINTERRADDECKEL
82	25430209/0	8	MOLLA AGGANCI	SPRING	RESSORT	FEDER

PER LA SOSTITUZIONE DELLE PARTI CONTRASSEGNALE CON «*» RIVOLGERSI AL SERVIZIO ASSISTENZA DEL COSTRUTTORE DELLA TRASMISSIONE.
 TO REPLACE THE PARTS MARKED «*» SEEK ASSISTANCE FROM THE TRANSMISSION MANUFACTURER'S AFTER SALES SERVICE.
 POUR LE REMPLACEMENT DES PIÈCES MARQUÉES AVEC «*» S'ADRESSER AU SERVICE APRÈS VENTES DU CONSTRUCTEUR DE LA TRANSMISSION.
 ZUM AUSTAUSCH DER MIT «*» GEKENNZEICHNETEN TEILE, WENDEN SIE SICH AN DEN KUNDENDIENST DES HERSTELLERS DES ANTRIEBS.

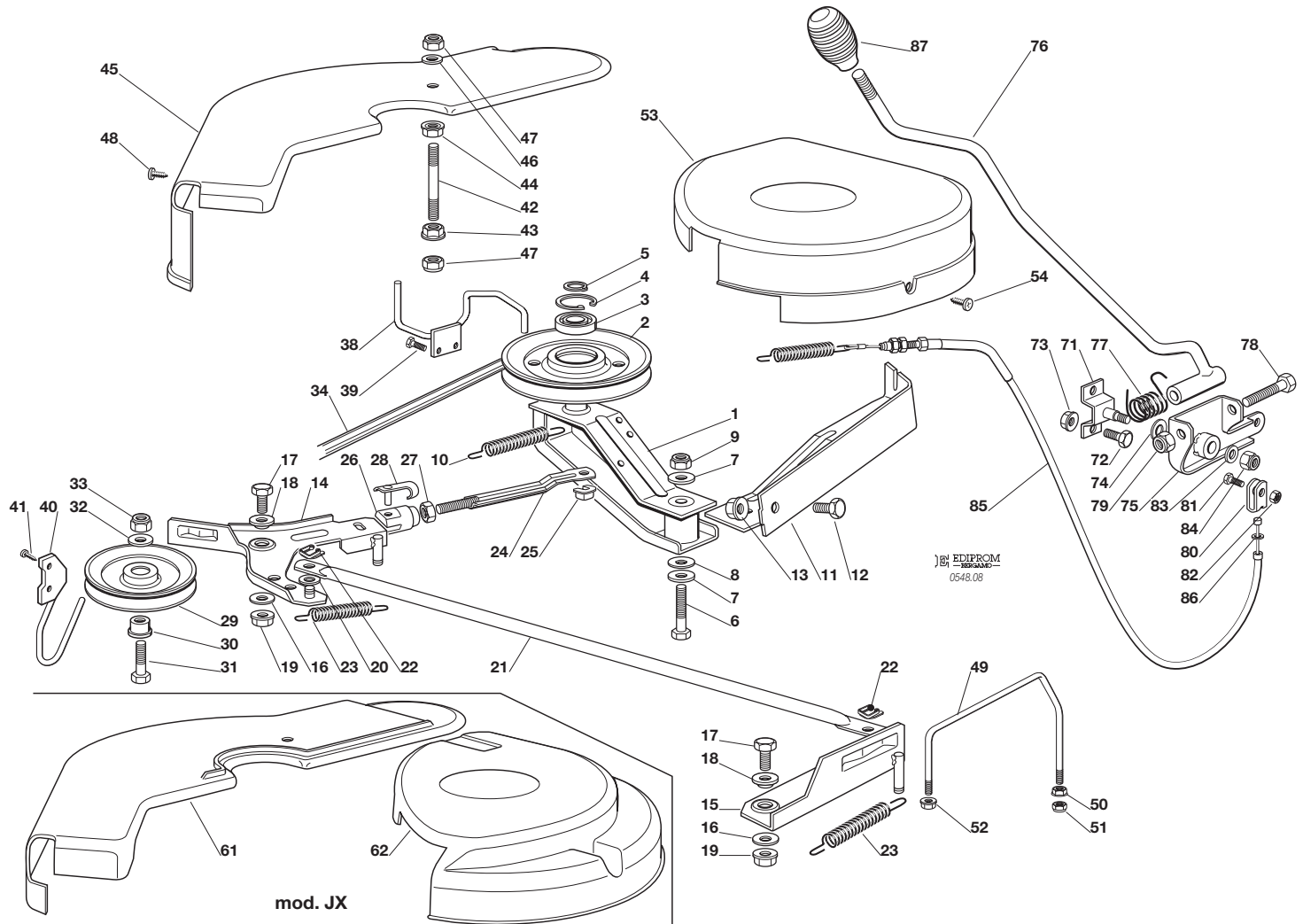
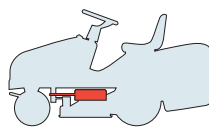


EDIPROM
 0348.07

N.	CODE	Q.TY	DESCRIZIONE	DESCRIPTION	DESCRIPTION	BESCHREIBUNG
1	82300002/1	1	ASSIEME LEVA (2÷9)	LEVER ASS.Y (2÷9)	ENS. LEVIER (2÷9)	SCHNEIDWERKZEUG AUFHEBENHEBEL (2÷9)
2	82318139/0	1	LEVA	LEVER	LEVIER	HEBEL
3	25605000/1	1	PULSANTE	BUTTON	POUSSOIR	DRUCKKNOPF
4	25470901/0	1	NASELLO	DOG	DECLIC	NASE
5	25510011/0	1	PERNO	PIN	PIVOT	BOLZEN
6	25033002/0	1	ASTA	ROD	TIGE	STAB
7	25394504/1	1	MANOPOLA	KNOB	POIGNEE	GRIFF
8	25430208/0	1	MOLLA	SPRING	RESSORT	FEDER
9	12604899/0	1	RONDELLA	WASHER	RONDELLE	SCHEIBE
10	82000403/0	1	ASSE	AXLE	AXE	ACHSE
11	22034523/0	2	BOCCOLA	BUSH	DOUILLE	BÜCHSE
12	25160013/0	1	DISTANZIALE	SPACER	ENTRETOISE	ENTFERNUNGSSTÜCK
13	12521410/0	1	RONDELLA	WASHER	RONDELLE	SCHEIBE
14	12620206/0	2	SPINA	PIN	GOUPILLE	STIFT
15	25735506/1	1	SETTORE	SECTOR	SECTEUR	SEKTOR
16	12792611/0	2	VITE	SCREW	VIS	SCHRAUBE
17	12293201/0	2	DADO	NUT	ECROU	MUTTER
18	82004603/0	1	FILO	WIRE	FIL	KABEL
19	25601557/0	1	PULEGGIA	PULLEY	POULIE	RIEMENSCHIEBE
20	25510032/0	1	PERNO	PIN	PIVOT	BOLZEN
21	12691400/0	1	VITE	SCREW	VIS	SCHRAUBE
22	12523060/0	1	RONDELLA	WASHER	RONDELLE	SCHEIBE
23	12293201/0	1	DADO	NUT	ECROU	MUTTER
24	82000381/2	1	ASSE SOLLEVAMENTO	AXLE	AXE	ACHSE
25	25547037/1	2	PIASTRINA	PLATE	PLAQUE	PLATTE
26	12791011/0	4	VITE	SCREW	VIS	SCHRAUBE
27	12292102/0	4	DADO	NUT	ECROU	MUTTER
28	82318137/0	1	LEVA	LEVER	LEVIER	HEBEL
29	25547041/0	2	PIASTRINA	PLATE	PLAQUE	PLATTE
30	12731601/0	4	VITE	SCREW	VIS	SCHRAUBE



N.	CODE	Q.TY	DESCRIZIONE	DESCRIPTION	DESCRIPTION	BESCHREIBUNG
31	25033013/0	1	ASTA	ROD	TIGE	STAB
32	25510040/1	1	PERNO	PIN	PIVOT	BOLZEN
33	12293200/0	1	DADO	NUT	ECROU	MUTTER
34	12155000/0	1	DADO	NUT	ECROU	MUTTER
35	25670011/0	2	RONDELLA	WASHER	RONDELLE	SCHEIBE
36	12155000/0	1	DADO	NUT	ECROU	MUTTER
37	12521350/0	1	RONDELLA	WASHER	RONDELLE	SCHEIBE
38	24487997/0	1	COPPIGLIA	COTTER PIN	GOUPILLE	SPLIT
51	25840003/2	1	TIRANTE	TIE ROD	TIRANT	SPANNSTANGE
52	25510024/0	1	PERNO	PIN	PIVOT	BOLZEN
53	12521360/0	1	RONDELLA	WASHER	RONDELLE	SCHEIBE
54	25670008/1	1	RONDELLA	WASHER	RONDELLE	SCHEIBE
55	24487997/0	1	COPPIGLIA	COTTER PIN	GOUPILLE	SPLIT
56	25670008/1	2	RONDELLA	WASHER	RONDELLE	SCHEIBE
57	12156602/0	1	DADO	NUT	ECROU	MUTTER
58	12295200/0	1	DADO	NUT	ECROU	MUTTER
59	12156602/0	1	DADO	NUT	ECROU	MUTTER
61	25840003/2	1	TIRANTE	TIE ROD	TIRANT	SPANNSTANGE
62	25510024/0	1	PERNO	PIN	PIVOT	BOLZEN
63	12521360/0	1	RONDELLA	WASHER	RONDELLE	SCHEIBE
64	25670008/1	1	RONDELLA	WASHER	RONDELLE	SCHEIBE
65	24487997/0	1	COPPIGLIA	COTTER PIN	GOUPILLE	SPLIT
66	25670008/1	2	RONDELLA	WASHER	RONDELLE	SCHEIBE
67	12156602/0	1	DADO	NUT	ECROU	MUTTER
68	12295200/0	1	DADO	NUT	ECROU	MUTTER
69	12156602/0	1	DADO	NUT	ECROU	MUTTER
71	25840014/0	1	TIRANTE	TIE ROD	TIRANT	SPANNSTANGE
72	25510069/0	1	PERNO	PIN	PIVOT	BOLZEN
73	25670008/1	1	RONDELLA	WASHER	RONDELLE	SCHEIBE
74	12521360/0	1	RONDELLA	WASHER	RONDELLE	SCHEIBE
75	24487997/0	1	COPPIGLIA	COTTER PIN	GOUPILLE	SPLIT
76	25670008/1	2	RONDELLA	WASHER	RONDELLE	SCHEIBE
77	12156602/0	1	DADO	NUT	ECROU	MUTTER
78	12295200/0	1	DADO	NUT	ECROU	MUTTER
79	12156602/0	1	DADO	NUT	ECROU	MUTTER



N.	CODE	Q.TY	DESCRIZIONE	DESCRIPTION	DESCRIPTION	BESCHREIBUNG
1	82318141/2	1	LEVA	LEVER	LEVIER	HEBEL
2	25601564/0	1	PULEGGIA	PULLEY	POULIE	RIEMENSCHLEIBE
3	19216033/1	1	CUSCINETTO	BEARING	ROULEMENT	KUEGELLAGER
4	12610800/0	1	ANELLO ELASTICO	SNAP RING	ANNEAU RESSORT	SPRENGRING
5	12609200/0	1	ANELLO ELASTICO	SNAP RING	ANNEAU RESSORT	SPRENGRING
6	12691700/0	1	VITE	SCREW	VIS	SCHRAUBE
7	12523070/0	2	RONDELLA	WASHER	RONDELLE	SCHEIBE
8	22672152/0	1	RONDELLA	WASHER	RONDELLE	SCHEIBE
9	12155000/0	1	DADO	NUT	ECROU	MUTTER
10	22450500/0	1	MOLLA	SPRING	RESSORT	FEDER
11	82774215/2	1	STAFFA	CLAMP	BRIDE	BRIDE
12	12792611/0	1	VITE	SCREW	VIS	SCHRAUBE
13	12293201/0	1	DADO	NUT	ECROU	MUTTER
14	82318143/2	1	LEVA DESTRA	RIGHT LEVER	LEVIER DROITE	RECHTE HEBEL
15	82318148/0	1	LEVA SINISTRA	LEFT LEVER	LEVIER GAUCHE	LINKE HEBEL
16	22672152/0	2	RONDELLA	WASHER	RONDELLE	SCHEIBE
17	12792611/0	2	VITE	SCREW	VIS	SCHRAUBE
18	22041980/0	2	BUSSOLA	BUSH	DOUILLE	BUEHSE
19	12293201/0	2	DADO	NUT	ECROU	MUTTER
20	25670011/0	1	RONDELLA	WASHER	RONDELLE	SCHEIBE
21	25033024/0	1	ASTA	ROD	TIGE	TAB
22	12436050/0	2	PIASTRINA	PLATE	PLAQUE	PLATTE
23	25430229/1	2	MOLLA	SPRING	RESSORT	FEDER
24	82000499/0	1	ASTA	ROD	TIGE	STAB
25	12436050/0	1	PIASTRINA	PLATE	PLAQUE	PLATTE
26	18399000/0	1	FORCELLA	FORK	FOURCHE	GABEL
27	12292100/0	1	DADO	NUT	ECROU	MUTTER
28	18210200/0	1	CLIP	CLIP	CLIP	SPERRBOLZEN
29	25601555/0	1	PULEGGIA	PULLEY	POULIE	RIEMENSCHLEIBE
30	25160007/0	1	DISTANZIALE	SPACER	ENTRETOISE	ENTFERNUNGSSTUECK
31	12691100/0	1	VITE	SCREW	VIS	SCHRAUBE



N.	CODE	Q.TY	DESCRIZIONE	DESCRIPTION	DESCRIPTION	BESCHREIBUNG
32	12523060/0	1	RONDELLA	WASHER	RONDELLE	SCHEIBE
33	12155000/0	1	DADO	NUT	ECROU	MUTTER
34	35065700/0	1	CINGHIA	BELT	COURROIRE	KEILRIEMEN
38	25270301/0	1	GUIDACINGHIA	BELT GUIDE	GUIDE DE COURROIRE	RIEMENFÜHRUNG
39	12729601/1	2	VITE	SCREW	VIS	SCHRAUBE
40	25270304/1	1	GUIDACINGHIA	BELT GUIDE	GUIDE DE COURROIRE	RIEMENFÜHRUNG
41	12731601/0	2	VITE	SCREW	VIS	SCHRAUBE
42	25580007/0	1	PRIGIONIERO	STUD SCREW	PRISONNIER	STIFTSCHIEBE
43	12293201/0	1	DADO	NUT	ECROU	MUTTER
44	12293201/0	1	DADO	NUT	ECROU	MUTTER
45	25060102/0	1	CARTER	GUARD	CARTER	BLECH
46	12523060/0	1	RONDELLA	WASHER	RONDELLE	SCHEIBE
47	12155000/0	2	DADO	NUT	ECROU	MUTTER
48	12735110/0	2	VITE	SCREW	VIS	SCHRAUBE
49	25270316/0	1	GUIDACINGHIA	BELT GUIDE	GUIDE DE COURROIRE	RIEMENFÜHRUNG
50	12293201/0	1	DADO	NUT	ECROU	MUTTER
51	12155000/0	1	DADO	NUT	ECROU	MUTTER
52	12292102/0	1	DADO	NUT	ECROU	MUTTER
53	25060103/0	1	CARTER	GUARD	CARTER	BLECH
54	12735110/0	2	VITE	SCREW	VIS	SCHRAUBE

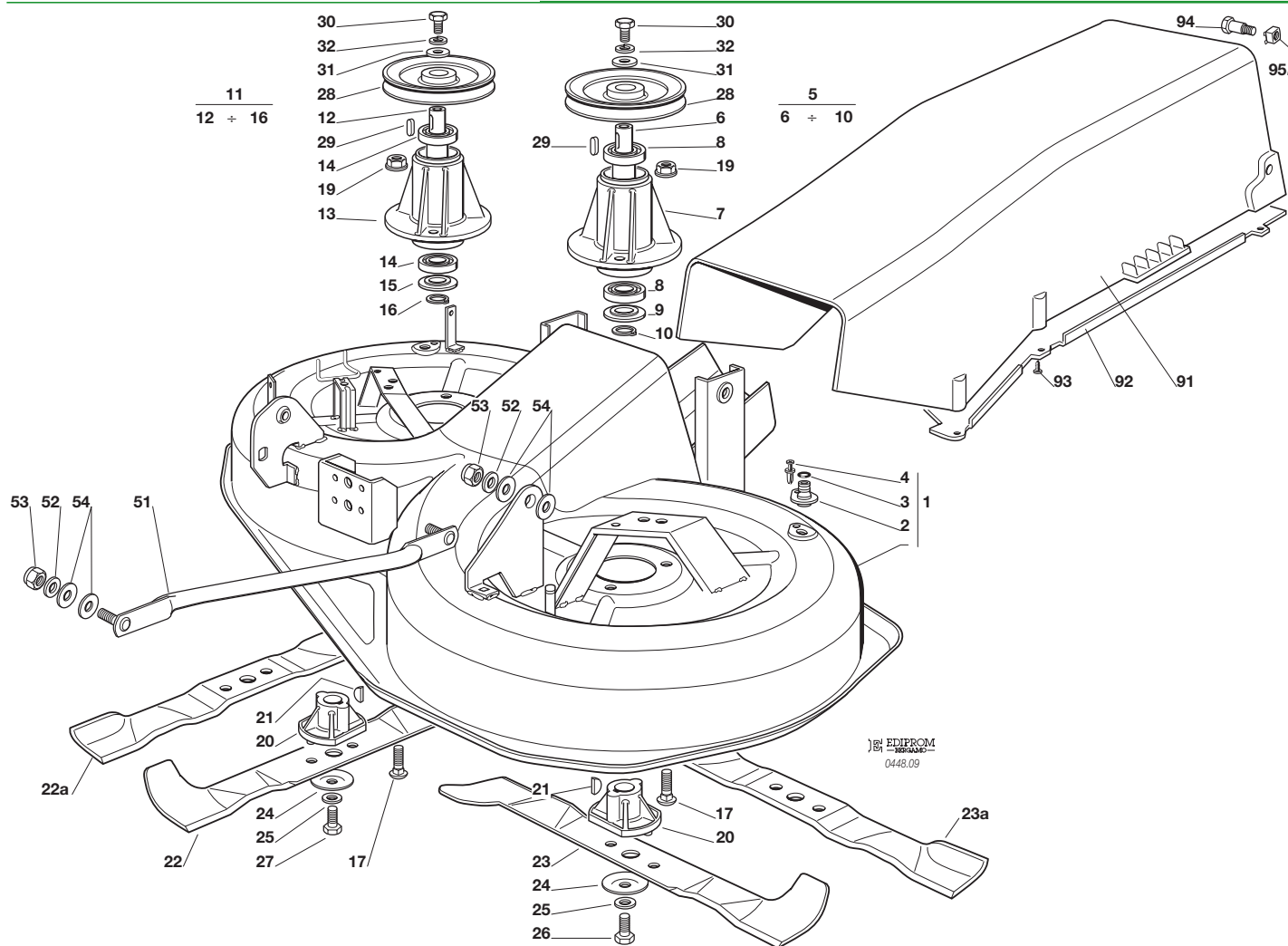
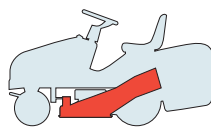
Nei modelli JX:

For models JX:

Dans les modèles JX:

Bei Modellen JX:

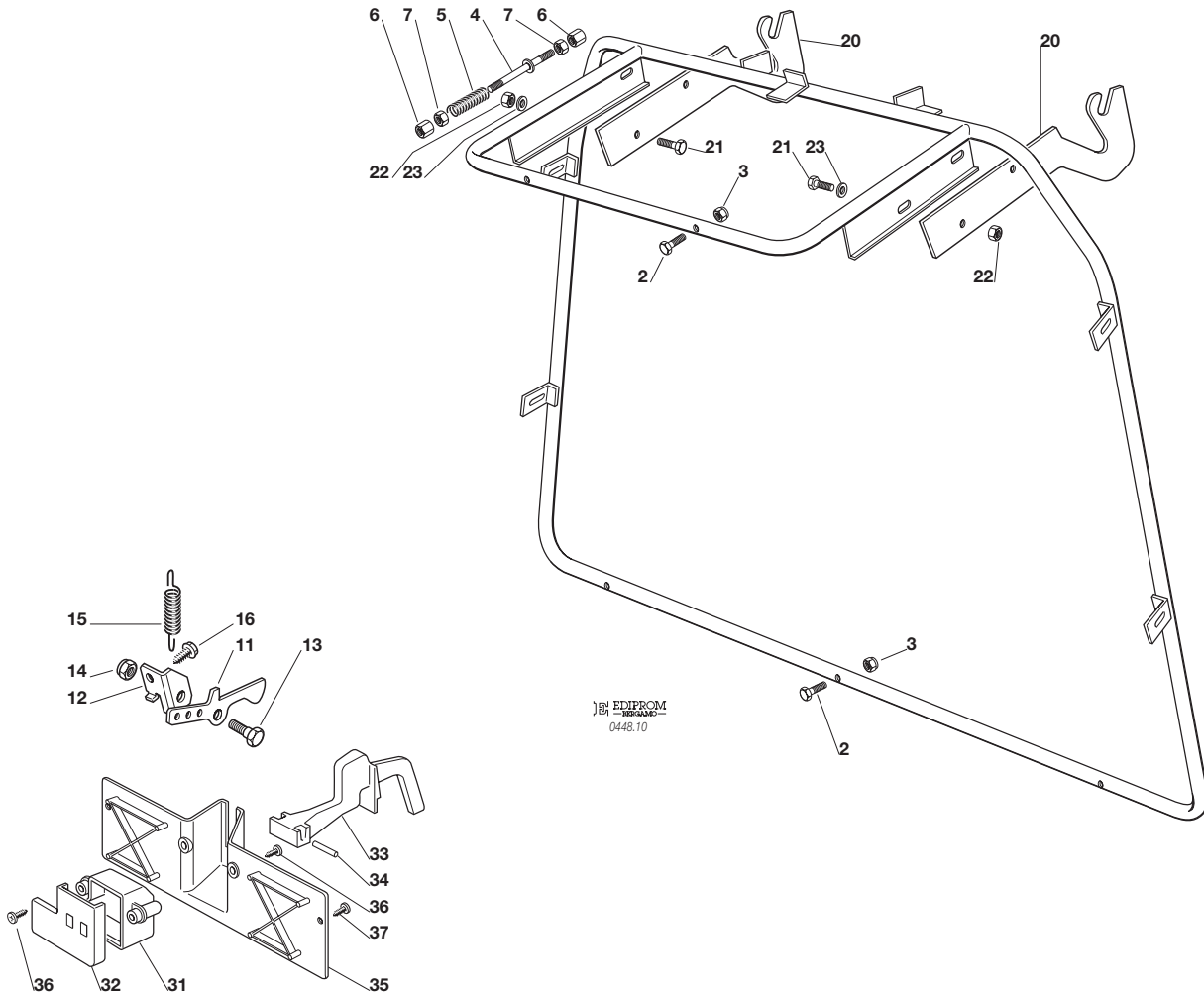
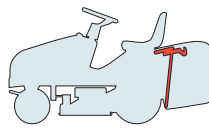
61	25060111/0	1	CARTER	GUARD	CARTER	BLECH
62	25060112/0	1	CARTER	GUARD	CARTER	BLECH
71	82785073/0	1	SUPPORTO	SUPPORT	SUPPORT	HALTER
72	12792611/0	2	VITE	SCREW	VIS	SCHRAUBE
73	12293201/0	2	DADO	NUT	ECROU	MUTTER
74	22672151/0	1	RONDELLA	WASHER	RONDELLE	SCHEIBE
75	82774204/1	1	STAFFA	CLAMP	BRIDE	BRIDE
76	82318135/0	1	LEVA	LEVER	LEVIER	HEBEL
77	25430227/0	1	MOLLA	SPRING	RESSORT	FEDER
78	12692050/0	1	VITE	SCREW	VIS	SCHRAUBE
79	12155000/0	1	DADO	NUT	ECROU	MUTTER
80	22061337/0	1	CAVALLOTTO	CONNECTING PLATE	PAQUE DE CONNEXION	BUGEL BOLZEN
81	12791213/1	1	VITE	SCREW	VIS	SCHRAUBE
82	12154510/0	1	DADO	NUT	ECROU	MUTTER
83	12523060/0	1	RONDELLA	WASHER	RONDELLE	SCHEIBE
84	12155010/0	1	DADO	NUT	ECROU	MUTTER
85	82004604/3	1	FILO	WIRE	FIL	KABEL
86	12523060/0	1	RONDELLA	WASHER	RONDELLE	SCHEIBE
87	25394510/0	1	MANOPOLA	KNOB	POIGNEE	GRIFF



N.	CODE	Q.TY	DESCRIZIONE	DESCRIPTION	DESCRIPTION	BESCHREIBUNG
1	82564048/0	1	PIATTO	PLATE	PLATEAU	SCHNEID
2	25033060/0	2	ATTACCO	WATER HOSE CONNECTION	RACCORD TUYAU D'EAU	WASSERANSCHLUSS
3	19035000/0	2	ANELLO OR	O RING	O RING	O RING
4	12500030/0	2	RIVETTO	RIVET	RIVET	NIET
5	82207202/0	1	ASS. FLANGIA SINISTRA (6÷10)	LEFT FLANGE ASS.Y (6÷10)	ENS. BRIDE GAUCHE (6÷10)	LINKE NABE, KOMPLETT (6÷10)
6	25020802/0	1	ALBERO	SHAFT	ARBRE	WELLE
7	25207200/0	1	FLANGIA	FLANGE	BRIDE	FLANSCH
8	19216032/0	2	CUSCINETTO	BEARING	ROULEMENT	KUEGELLAGER
9	25160501/0	1	DISCO PARAPOLVERE	DUST COVER	PROTEGE-POUSSIERE	STAUBSCHUTSCHEIBE
10	12609260/0	1	SEEGER	SEEGER	SEEGER	SEEGER
11	82207203/0	1	ASS. FLANGIA DESTRA (12÷16)	RIGHT FLANGE ASS.Y (12÷16)	ENS. BRIDE DROITE (12÷16)	RECHTE NABE, KOMPLETT (12÷16)
12	25020803/0	1	ALBERO	SHAFT	ARBRE	WELLE
13	25207200/0	1	FLANGIA	FLANGE	BRIDE	FLANSCH
14	19216032/0	2	CUSCINETTO	BEARING	ROULEMENT	KÜGELLAGER
15	25160501/0	1	DISCO PARAPOLVERE	DUST COVER	PROTEGE-POUSSIERE	STAUBSCHUTSCHEIBE
16	12609260/0	1	SEEGER	SEEGER	SEEGER	SEEGER
17	12818700/0	6	VITE	SCREW	VIS	SCHRAUBE
19	12154210/0	6	DADO	NUT	ECROU	MUTTER
20	25463200/0	2	MOZZO COLTELLO	BLADE HUB	MOYEU LAME	MESSERHALTER
21	12139100/0	2	LINGUETTA	KEY	CLAVETTE	KEIL
22	82004354/0	1	COLTELLO DESTRO MULCHING, ALETTATO	RIGHT BLADE MULCHING, WINGED	LAME DROITE MULCHING, AILLETTEE	RECHTER MESSER MULCHING, FLÜGEL
22a	82004352/0	1	COLTELLO DESTRO MULCHING	RIGHT BLADE MULCHING	LAME DROITE MULCHING	RECHTER MESSER MULCHING
23	82004353/0	1	COLTELLO SINISTRO MULCHING, ALETTATO	LEFT BLADE MULCHING, WINGED	LAME GAUCHE MULCHING, AILLETTEE	LINKER MESSER MULCHING, FLÜGEL
23a	81004346/3	1	COLTELLO SINISTRO MULCHING	LEFT BLADE MULCHING	LAME GAUCHE MULCHING	LINKER MESSER MULCHING
24	22160400/0	2	DISCO PARAPOLVERE	DUST COVER	PROTEGE-POUSSIERE	STAUBSCHUTSCHEIBE

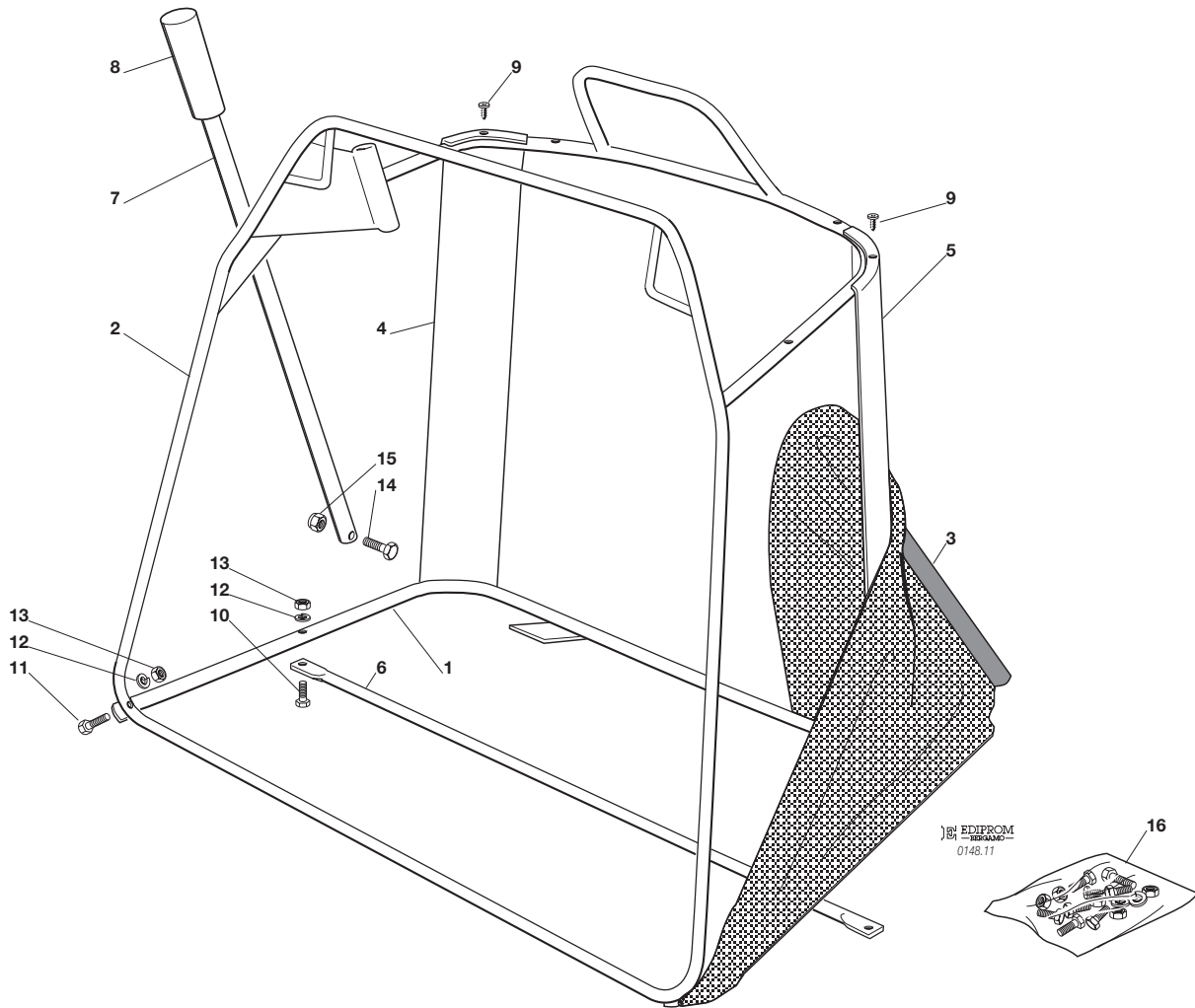
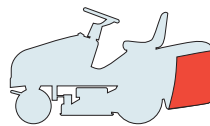


N.	CODE	Q.TY	DESCRIZIONE	DESCRIPTION	DESCRIPTION	BESCHREIBUNG
25	12523080/0	2	RONDELLA	WASHER	RONDELLE	SCHEIBE
26	12735694/0	1	VITE	SCREW	VIS	SCHRAUBE
27	12735695/1	1	VITE	SCREW	VIS	SCHRAUBE
28	25601573/0	2	PULEGGIA	PULLEY	POULIE	RIEMENSCHLEIBE
29	12139480/0	2	CHIAVETTA	KEY	CLAVETTE	KEIL
30	12793102/0	2	VITE	SCREW	VIS	SCHRAUBE
31	25670007/0	2	RONDELLA	WASHER	RONDELLE	SCHEIBE
32	12583500/0	2	GROWER	GROWER	GROWER	GROWER
—	82564060/0	1	PIATTO DI TAGLIO ASSEMBLATO (008, 1÷39 + 49÷52 + 009, 1÷32)	CUTTING PLATE, ASSEMBLED (008, 1÷39 + 49÷52 + 009, 1÷32)	PLATEAU DE COUPE, COMPLETE (008, 1÷39 + 49÷52 + 009, 1÷32)	SCHNEIDWERKZEUG, KOMPLETT (008, 1÷39 + 49÷52 + 009, 1÷32)
51	82000474/1	2	ASTA BILANCIERE	EQUALIZER ROD	TIGE BALANCIER	KIPPEBEL
52	12521360/0	4	RONDELLA	WASHER	RONDELLE	SCHEIBE
53	12156602/0	4	DADO	NUT	ECROU	MUTTER
54	25670008/1	8	RONDELLA	WASHER	RONDELLE	SCHEIBE
91	25108004/0	1	CONVOGLIATORE	CONVEYOR	CONVOYEUR	BLECHSATZ
92	25190091/0	1	DEFLETTORE	DEFLECTOR	DEFLECTEUR	ABWEISER
93	12735402/0	6	VITE	SCREW	VIS	SCHRAUBE
94	25510061/0	2	PERNO	PIN	PIVOT	BOLZEN
95	12360430/0	2	DADO	NUT	ECROU	MUTTER



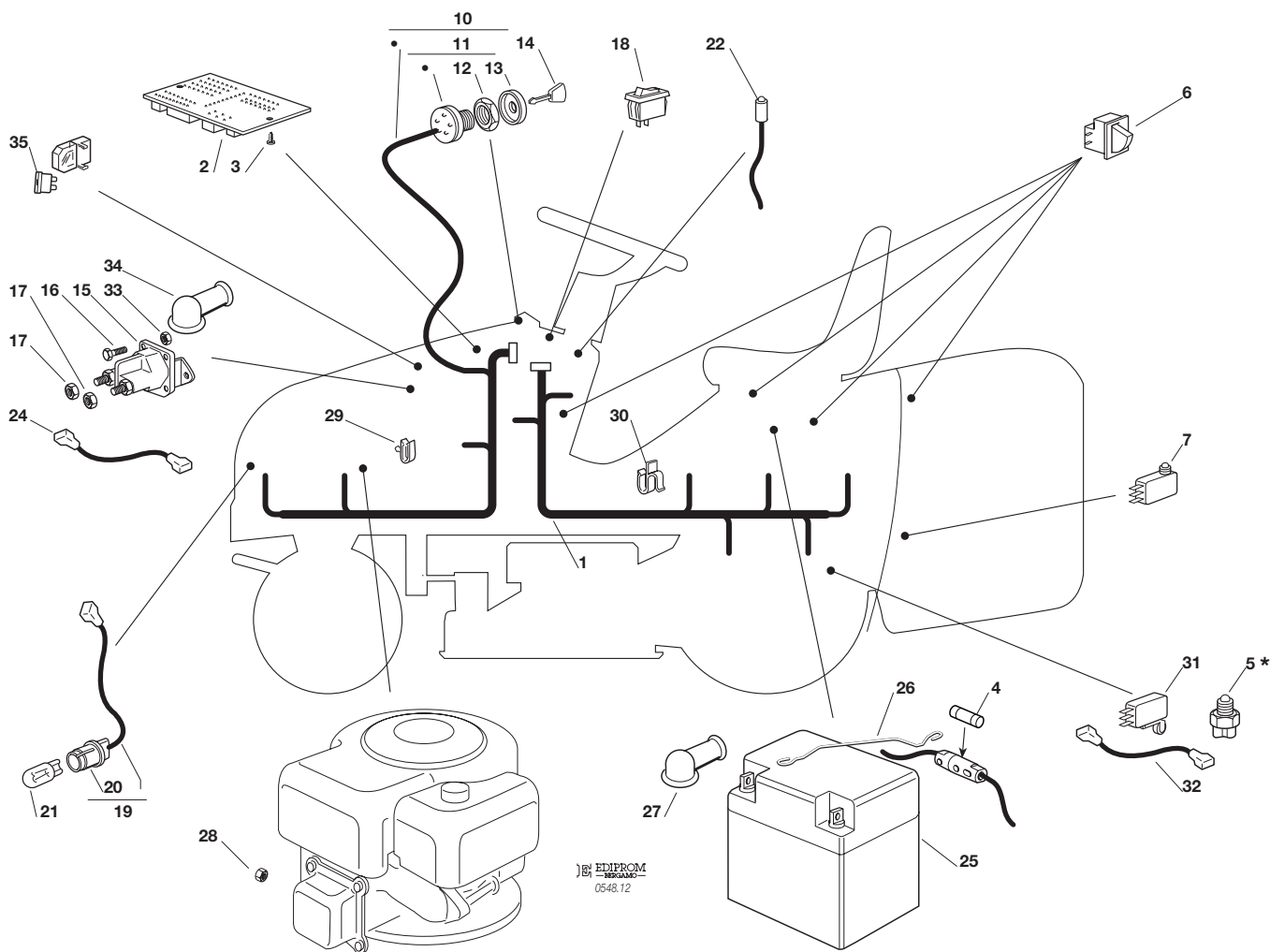
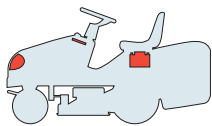
EDIFROM
0448.10

N.	CODE	Q.TY	DESCRIZIONE	DESCRIPTION	DESCRIPTION	BESCHREIBUNG
1	82800017/1	1	TELAIO	FRAME	CHASSIS	RAHMEN
2	12791500/0	5	VITE	SCREW	VIS	SCHRAUBE
3	12154510/0	5	DADO	NUT	ECROU	MUTTER
4	82000465/1	1	ASTA	ROD	TIGE	STANGE
5	25430232/0	1	MOLLA	SPRING	RESSORT	FEDER
6	25510042/0	2	PERNO	PIN	PIVOT	BOLZEN
7	12292100/0	2	DADO	NUT	ECROU	MUTTER
11	25774327/0	1	STAFFA	BRACKET	ETRIER	BRIDE
12	25755031/0	1	SQUADRETTA	BRACKET	EQUERRE-SUPPORT	WINKEL
13	25510080/0	1	PERNO	PIN	PIVOT	BOLZEN
14	12292102/0	1	DADO	NUT	ECROU	MUTTER
15	25430220/0	1	MOLLA	SPRING	RESSORT	FEDER
16	12735122/0	1	VITE	SCREW	VIS	SCHRAUBE
20	25785077/0	2	SUPPORTO	SUPPORT	SUPPORT	HALTER
21	12793102/0	4	VITE	SCREW	VIS	SCHRAUBE
22	12155000/0	4	DADO	NUT	ECROU	MUTTER
23	12521350/0	4	RONDELLA	WASHER	RONDELLE	SCHEIBE
31	25600041/0	1	PROTEZIONE MICRO	MICRO PROTECTION	PROTECTION MICRO	SCHUTZ
32	25600042/0	1	COPERCHIO PROTEZIONE	PROTECTION COVER	COUVERCLE PROTECTION	SCHUTZDEKEL
33	25318124/0	1	LEVA	LEVER	LEVIER	HEBEL
34	12400030/0	1	PERNO	PIN	PIVOT	BOLZEN
35	25774251/0	1	STAFFA	BRACKET	SUPPORT	SHELLE
36	12728510/0	3	VITE	SCREW	VIS	SCHRAUBE
37	12735110/0	2	VITE	SCREW	VIS	SCHRAUBE



EDIPROM
 0148.11

N.	CODE	Q.TY	DESCRIZIONE	DESCRIPTION	DESCRIPTION	BESCHREIBUNG
1	82800015/0	1	TELAIO INFERIORE	LOWER FRAME	CHASSIS INFÉRIEUR	UNTERERRAHMEN
2	82800014/1	1	TELAIO SUPERIORE	UPPER FRAME	CHASSIS SUPÉRIEUR	OBERERRAHMEN
3	82105998/0	1	CONFEZIONE SACCO	GRASSCATCHER	BAC	SACK
4	25032005/0	1	ANGOLARE DESTRO	RIGHT ANGULAR SUPPORT	SUPPORT ANGULAIRE DROITE	RECHTER HALTER
5	25032004/0	1	ANGOLARE SINISTRO	LEFT ANGULAR SUPPORT	SUPPORT ANGULAIRE GAUCHE	LINKER HALTER
6	82650039/0	1	RINFORZO	STIFFENING	RENFORCEMENT	VERSTAERKUNG
7	25869029/1	1	TUBO	ROD	TIGE	STANGE
8	25394508/0	1	MANOPOLA	HANDLE	POINGEE	GRIFF
9	12729601/1	4	VITE	SCREW	VIS	SCHRAUBE
10	12792099/0	2	VITE	SCREW	VIS	SCHRAUBE
11	12792099/0	2	VITE	SCREW	VIS	SCHRAUBE
12	12582101/0	4	GROWER	GROWER	GROWER	GROWER
13	12292100/0	4	DADO	NUT	ECROU	MUTTER
14	12792099/0	1	VITE	SCREW	VIS	SCHRAUBE
15	12154510/0	1	DADO	NUT	ECROU	MUTTER
16	82180016/1	1	DOTAZIONE VITERIA (9÷15)	SCREWS OUTFIT (9÷15)	ENSEMBLE DES VIS (9÷15)	SCHRAUBENAUSRÜSTUNG (9÷15)



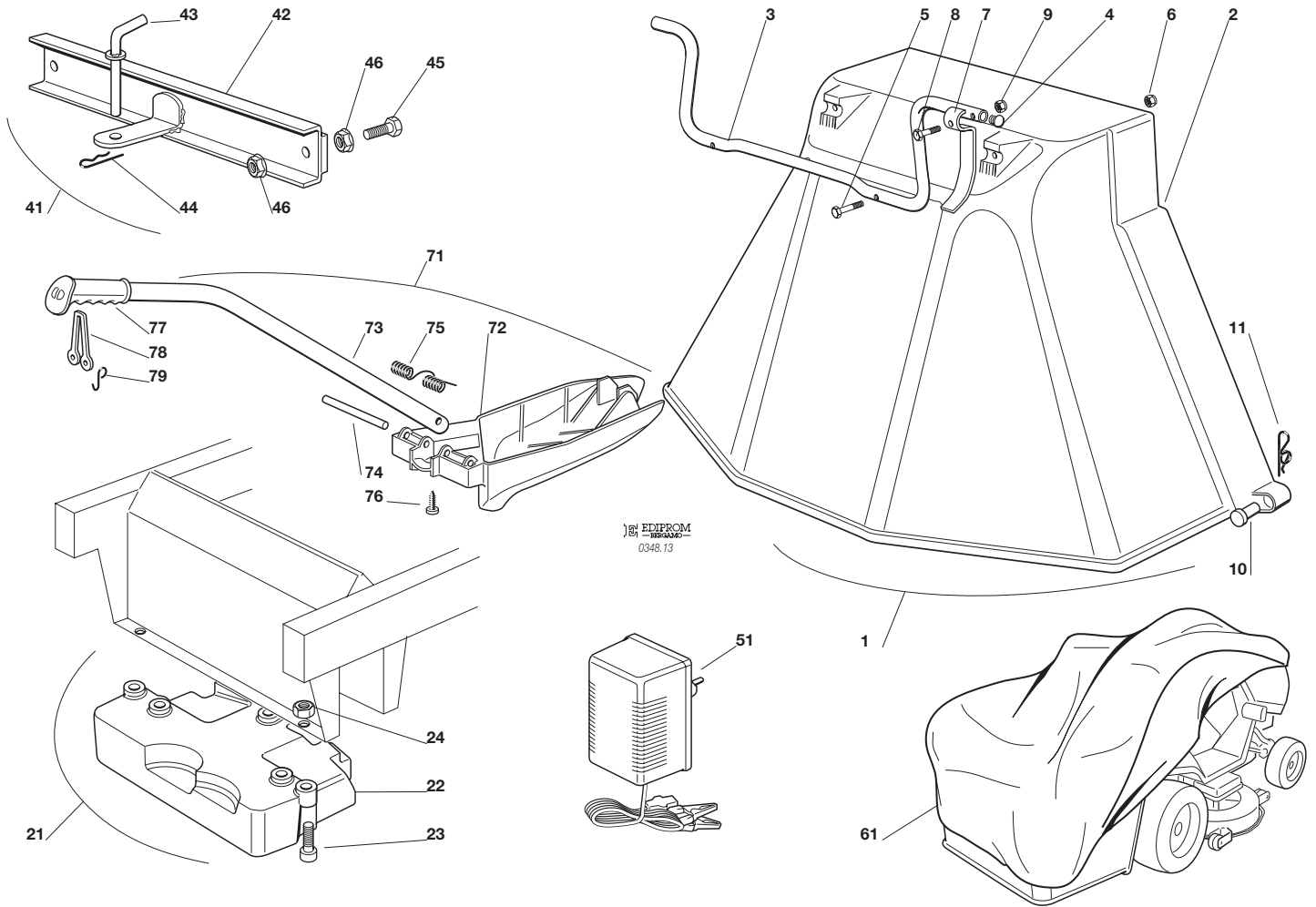
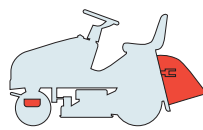
EDIPROM
REGALDO
0548.12

N.	CODE	Q.TY	DESCRIZIONE	DESCRIPTION	DESCRIPTION	BESCHREIBUNG
1	82040131/0	1	CABLAGGIO POSTERIORE	CABLES ASS.Y	ENS. CABLAGES	KABELSATZ
2	25722415/1	1	SCHEDA ELETTRONICA	ELECTRONIC CARD	CARTE ELECTRONIQUE	ELEKTRONISCHE KARTE
3	12727810/0	2	VITE	SCREW	VIS	SCHRAUBE
4	33340033/0	1	FUSIBILE 6,3A	FUSE 6,3A	FUSIBLE 6,3A	SICHERUNG 6,3A
5*	-	1	INTERRUTT. CAMBIO (mecc.)	GEARBOX SWITCH (mech.)	INT. BOÎTE DE VITESSE (mec.)	ANTRIEB SCHALTER (mech.)
6	19410606/0	4	MICRO INTERRUTTORE	MICROSWITCH	MICROINTERRUPTEUR	MIKROSCHALTER
7	19410605/1	1	MICRO SACCO PIENO	FULL GRASSCATCHER	MICRO BAC PLEIN	VOLLKORB VORRICHTUNG
10	82040128/0	1	CABLAGGIO ANTERIORE	CABLES ASS.Y	ENS. CABLAGES	KABELSATZ
11	18450065/1	1	INTERRUTTORE AVVIAM.	STARTING SWITCH	INTERRUPTEUR DEMARR.	SCHALTER
12	18400861/0	1	GHIERA	RINGNUT	EMBOUT	NUTMUTTER
13	18565351/0	1	PROTEZIONE GHIERA	RINGNUT PROTECTION	PROTECTION EMBOUT	NUTMUTTER SCHUTZ
14	18210016/1	1	CHIAVE AVVIAMENTO	STARTING KEY	CLEF A DEMARRAGE	SCHLÜSSEL FÜR START
15	18736111/0	1	RELÉ AVVIAMENTO	STARTER RELAY	RELAIS D'ALLUMAGE	ANLASSRELAIS
16	12791213/1	2	VITE	SCREW	VIS	SCHRAUBE
17	12360352/0	2	DADO	NUT	ECROU	MUTTER
18	18450060/1	1	INTERRUTTORE	FARILAMP SWITCH	INTERRUPTEUR PHARES	LICHTEN SCHALTER
19	82040070/0	1	CAVO FARI	CABLE	CABLES	KABEL
19	82040073/0	1	CAVO FARI (JX)	CABLE (JX)	CABLES (JX)	KABEL (JX)
20	33500030/0	2	PORTALAMPADE	LAMP HOLDER	DOUILLE DE LAMPE	SCHEINWERFERLAMPE
21	18459100/0	2	LAMPADA	FARILAMP FOR LIGHTS	LAMPE POUR PHARES	LAMPENFASSUN
22	25065014/1	1	CAVO LED SEGNALEZIONE	CABLE	CABLES	KABEL
24	25065017/0	1	CABLAGGIO SOLEN. AVV.	CABLES ASS.Y	ENS. CABLAGES	KABELSATZ
25	18120002/1	1	BATTERIA	BATTERY	BATTERIE	BATTERIE
26	25430230/0	1	MOLLA	SPRING	RESSORT	FEDER
27	18564861/1	1	CAPPUCCIO	PROTECTION	CAPUCHON	STECKER
28	12361005/0	1	DADO	NUT	ECROU	MUTTER
29	33320506/0	4	FERMACAPO	FAIRLED	FIXATION CABLE	KABELBEFESTIGUNG
30	33320504/0	1	FERMACAPO	FAIRLED	FIXATION CABLE	KABELBEFESTIGUNG
31	19410609/0	1	INTERRUTT. FOLLE (hydro)	MICROSWITCH (hydro)	MICROINTERRUPTEUR (hydro)	MIKROSCHALTER (hydro)
32	25065025/0	1	CAVO MICRO FOLLE (hydro)	CABLE (hydro)	CABLES (hydro)	KABEL (hydro)
33	12292102/0	2	DADO	NUT	ECROU	MUTTER



N.	CODE	Q.TY	DESCRIZIONE	DESCRIPTION	DESCRIPTION	BESCHREIBUNG
34	18564864/1	1	CAPPUCCIO	PROTECTION	CAPUCHON	STECKER
35	33340036/0	1	FUSIBILE 25 A	FUSE 25 A	FUSIBLE 25 A	SICHERUNG 25 A

PER LA SOSTITUZIONE DELLE PARTI CONTRASSEGNALE CON «*» RIVOLGERSI AL SERVIZIO ASSISTENZA DEL COSTRUTTORE DELLA TRASMISSIONE.
 TO REPLACE THE PARTS MARKED «*» SEEK ASSISTANCE FROM THE TRANSMISSION MANUFACTURER'S AFTER SALES SERVICE.
 POUR LE REMPLACEMENT DES PIÈCES MARQUÉES AVEC «*» S'ADRESSER AU SERVICE APRÈS VENTES DU CONSTRUCTEUR DE LA TRANSMISSION.
 ZUM AUSTAUSCH DER MIT «*» GEKENNZEICHNETEN TEILE, WENDEN SIE SICH AN DEN KUNDENDIENST DES HERSTELLERS DES ANTRIEBS.

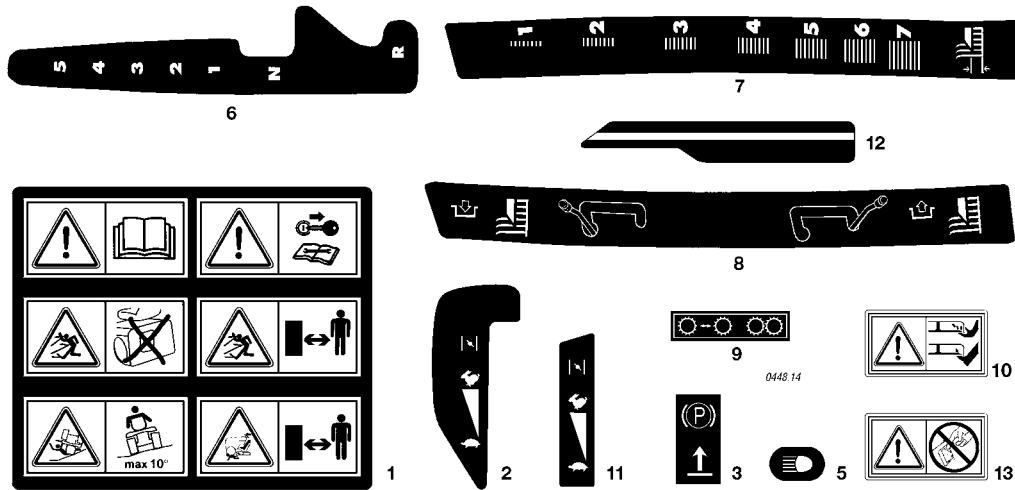
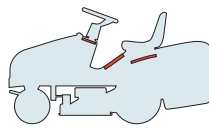


EDIPROM
0348.13

N.	CODE	Q.TY	DESCRIZIONE	DESCRIPTION	DESCRIPTION	BESCHREIBUNG
1	99900050/0	1	KIT PROTEZIONE USCITA	EJECTION-GUARD KIT	KIT PROTECTION SORTIE	AUSWURFSCHUTZVORRICHTUNG
2	82400002/0	1	PROTEZIONE USCITA	EJECTION GUARD	PROTECTION SORTIE	AUSWURFSCHUTZ
3	25869031/0	1	TUBO DI AGGANCIO	SUPPORT	SUPPORT	HALTER
4	18566113/0	2	PUNTALE	CAP	BOUCHON	PFROPFEN
5	12674701/0	2	VITE	SCREW	VIS	SCHRAUBE
6	12154510/0	2	DADO	NUT	ECROU	MUTTER
7	25547053/0	1	PIASTRINA	PLATE	PLAQUETTE	PLÄTTCHEN
8	12791500/0	1	VITE	SCREW	VIS	SCHRAUBE
9	12154510/0	1	DADO	NUT	ECROU	MUTTER
10	25510022/0	2	PERNO	PIN	PIVOT	BOLZEN
11	24487998/0	2	COPPIGLIA	COTTER PIN	GOUILLE	SPLIT
21	99900030/6	1	ASS. KIT PESO ANT.	FRONT WEIGHT KIT	KIT POIDS ANTERIEUR	VORDERGEWICHTVORRICHTUNG
22	25519997/1	1	PESO	WEIGHT	POIDS	GEWICHT
23	12760520/0	3	VITE	SCREW	VIS	SCHRAUBE
24	12155000/0	3	DADO	NUT	ECROU	MUTTER
41	99900080/2	1	ASS. KIT TRAINO	HITCH KIT	KIT DE TRAINAGE	ZUGVORRICHTUNG
42	82033103/1	1	BARRA	ROD	BARRE	STANGE
43	25510021/1	1	PERNO	PIN	PIVOT	BOLZEN
44	24487999/0	1	COPPIGLIA	COTTER PIN	GOUILLE	SPLIT
45	12793301/0	2	VITE	SCREW	VIS	SCHRAUBE
46	12293201/0	4	DADO	NUT	ECROU	MUTTER
51	82180050/0	1	CARICA BATTERIE	BATTERY CHARGER	CHARGEUR DE BATTERIES	BATTERIELADEGERÄT
	82180052/0	1	CARICA BATTERIE (U.K.)	BATTERY CHARGER (U.K.)	CHARGEUR DE BATTERIES (U.K.)	BATTERIELADEGERÄT (U.K.)
61	18737950/0	1	TELO DI COPERTURA	CLOTH	BÂCHE	PLANE



N.	CODE	Q.TY	DESCRIZIONE	DESCRIPTION	DESCRIPTION	BESCHREIBUNG
71	99900038/0	1	KIT MULCHING	MULCHING KIT	KIT MULCHING	MULCHINGVORRICHTUNG
72	25140093/0	1	DEFLETTORE	DEFLECTOR	DEFLECTEUR	ABWEISER
73	25394007/0	1	MANICO	HANDLE	GUIDON	STIEL
74	25510077/0	1	PERNO	PIN	PIVOT	BOLZEN
75	25430245/0	1	MOLLA	SPRING	RESSORT	FEDER
76	12735410/0	1	VITE	SCREW	VIS	SCHRAUBE
77	25280000/1	1	IMPUGNATURA	HANDGRIP	BRANCHE	GRIFF
78	25840011/1	1	TIRANTE IN GOMMA	ELASTIC TIE-ROD	TIRANT ELASTIQUE	ELASTISCHE ZUGSTÄBE
79	25253004/0	2	GANCIO	HOOK	CROCHET	HAKEN



N.	CODE	Q.TY	DESCRIZIONE	DESCRIPTION	DESCRIPTION	BESCHREIBUNG
1	14357190/0	1	ETICHETTA	LABEL	ETIQUETTE	KLEBZETTEL
2	14357209/1	1	ETICHETTA (J - JP - JTP - JX)	LABEL (J - JP - JTP - JX)	ETIQUETTE (J - JP - JTP - JX)	KLEBZETTEL (J - JP - JTP - JX)
3	14356185/1	1	ETICHETTA	LABEL	ETIQUETTE	KLEBZETTEL
5	14357424/1	1	ETICHETTA	LABEL	ETIQUETTE	KLEBZETTEL
6	14357210/1	1	ETICHETTA (mecc.)	LABEL (mech.)	ETIQUETTE (mec.)	KLEBZETTEL (mech.)
7	14357211/1	1	ETICHETTA	LABEL	ETIQUETTE	KLEBZETTEL
8	14357360/1	1	ETICHETTA	LABEL	ETIQUETTE	KLEBZETTEL
9	14357423/1	1	ETICHETTA (hydro)	LABEL (hydro)	ETIQUETTE (hydro)	KLEBZETTEL (hydro)
10	14356699/0	2	ETICHETTA	LABEL	ETIQUETTE	KLEBZETTEL
11	14357357/1	1	ETICHETTA (JT - JR - JB)	LABEL (JT - JR - JB)	ETIQUETTE (JT - JR - JB)	KLEBZETTEL (JT - JR - JB)
12	14357361/1	1	ETICHETTA	LABEL	ETIQUETTE	KLEBZETTEL
13	14360118/0	1	ETICHETTA	LABEL	ETIQUETTE	KLEBZETTEL