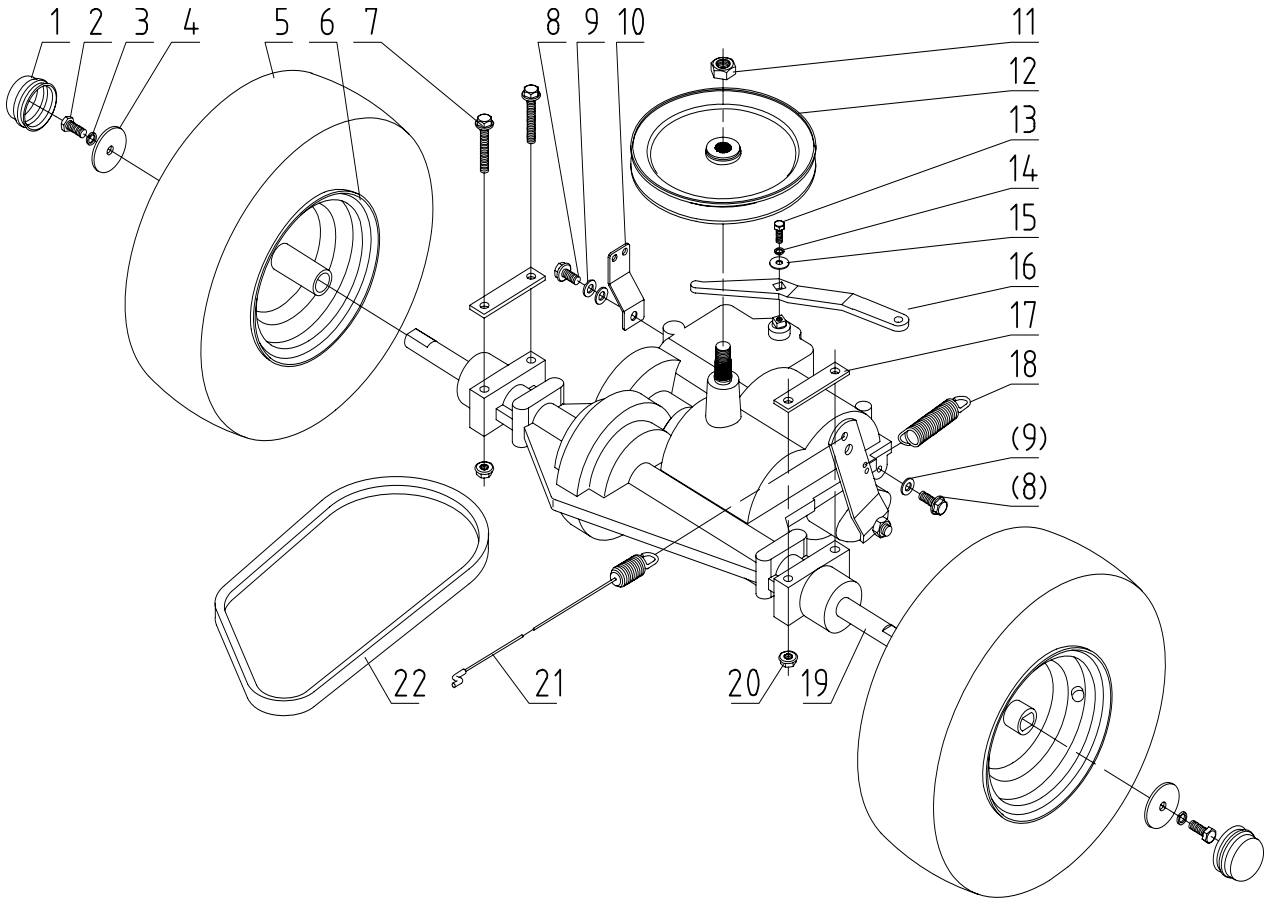


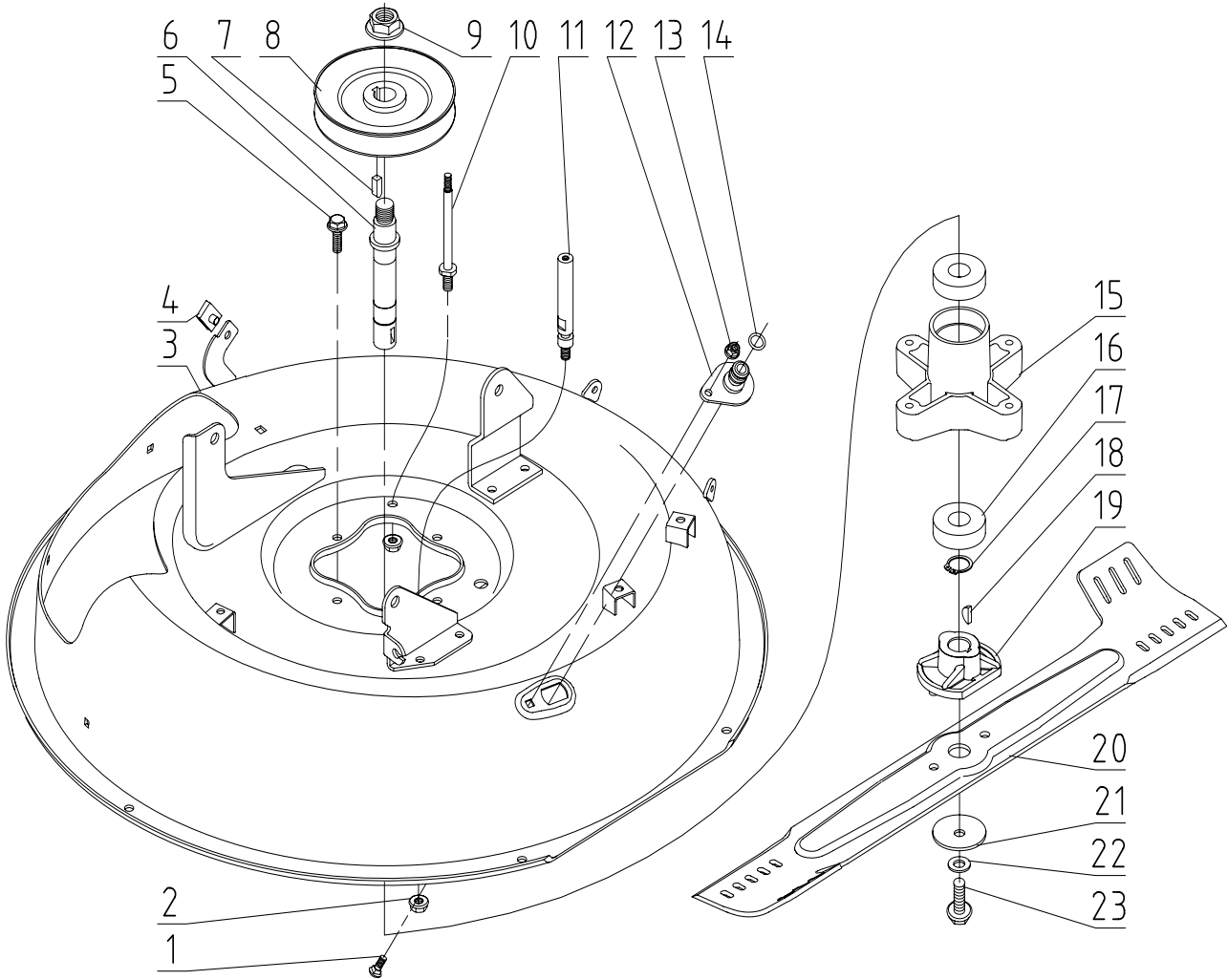
GEAR 24 PARTS DIAGRAM



REAR BRIDGE

1	D24.0109.0001	Hub cover	2	06.06.472
2	ANSI B 18.2.1	UK Bolt	2	01.02.0733
3	ASME B18.21.1	Spring washer 5/16"	2	01.04.0142
4	D24.0111.0001	Washer 8.2x43x3	2	06.02.143
5	D24.0111.0101	Tyre without inner tube	2	06.06.462
6	D24.0111.0200	Rear rim	2	06.06.700
7	GB/T5789-1986	Hexagon bolt M8X65	4	01.02.0621
8	GB/T70.1-2000	Screw M8X20	2	01.02.0641
9	GB/T97.1-1985	Washer8	3	01.04.0143
10	D24.0123.0001	Clamp	1	06.02.173
11	ANSI B 18.2.2	UK Nut	1	01.03.0243
12	D24.0104.0100	Driving passive wheel assembly	1	06.02.183
13	ANSI B18.6.3	UK Bolt	1	01.02.0343
14	GB/T93-1987	Spring washer 6	1	01.04.0311
15	GB/T96-1985	Washer 6	1	01.04.1213
16	D24.0113.0002	Gear shift arm	1	06.02.215
17	D24.0106.0005	Tie plate	2	06.06.467
18	D24.0114.0004	Brake shoe return spring	1	06.03.326
19	D24.0100.0003	Transmission	1	06.06.903
20	GB/T6183.1-2000	Hexagon lock nut M8	4	01.03.0093
21	D24.0114.0400	Brake Cable	1	00.06.02.037
22	LG5-370	V Belt LG5-370	1	03.05.2.004
	D24.0104.0017	V belt B34 1/2"	1	D24.0104.0017

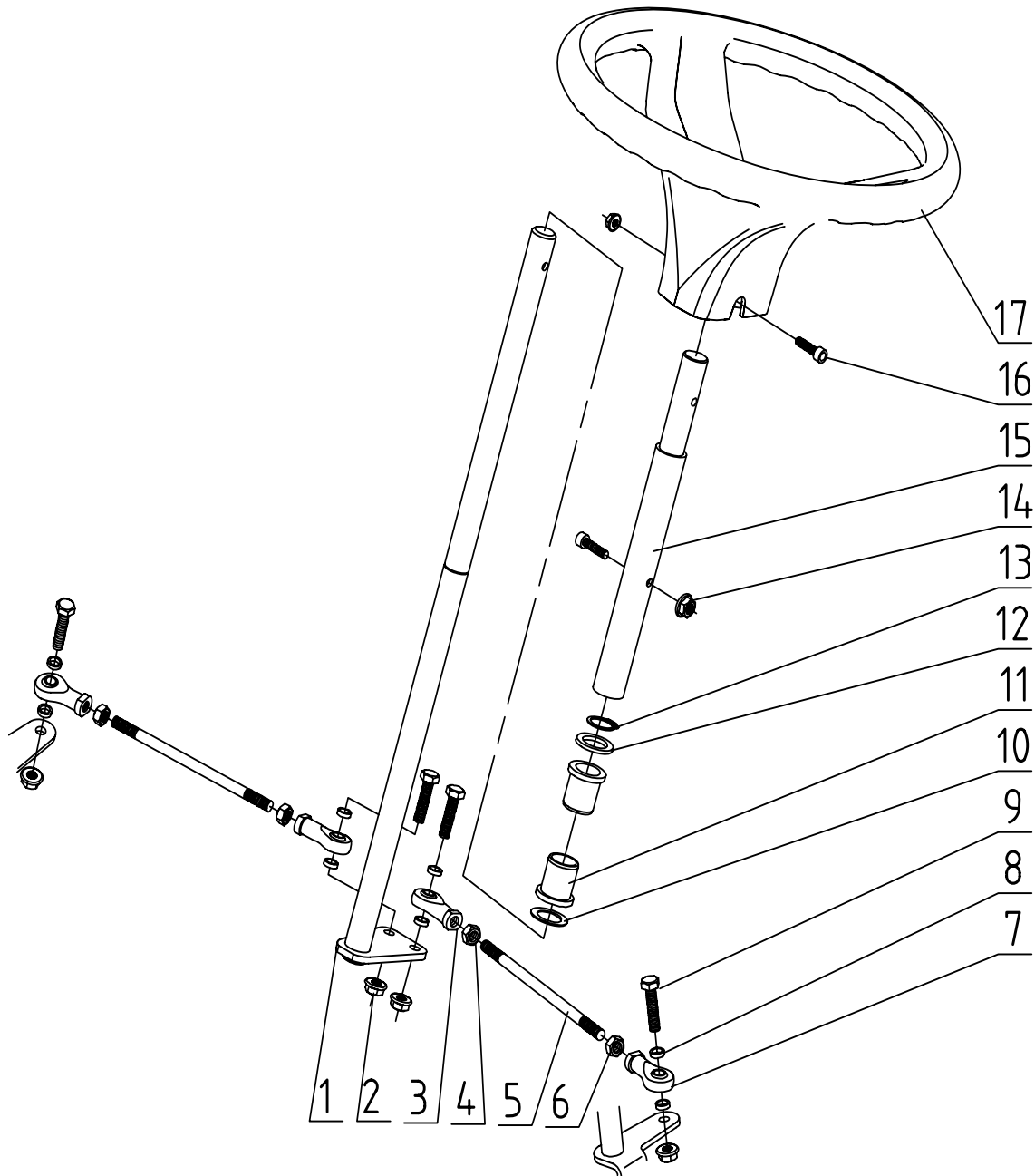
GEAR 24 PARTS DIAGRAM



BLADE

1	GB/T12-1988	Bolt M6X16	1	01.02.0413
2	GB/T6183.1-2000	Hexagon lock nut M8	2	01.03.0093
3	D24.0117.0100	Shell assembly	1	06.02.180
4	D24.0117.0010	Buckle nut M6	1	01.03.253
5	GB/T5789-1986	Hexagon bolt M8X25	4	01.02.0373
6	D24.0117.0003	Blade spindle	1	06.02.186
7	GB/T1096-1979	Flat key C6X18	1	01.06.0070
8	D24.0117.0200	Pulley	1	06.02.181
9	D24.0117.0008	Nut for blade axle	1	01.03.0333
10	D24.0117.0009	Bolt M8	1	06.06.444
11	D24.0117.0007	Hanging post	1	06.02.191
12	D24.0117.0006	Water nozzle	1	04.07.01.00201
13	GB/T6183.1-2000	Hexagon lock nut M6	1	01.03.0343
14	GB/T3452.1-1992	O shaped ring 11.2x2.65	1	01.06.0090
15	D24.0117.0005	Blade base	1	05.01.01.181
16	GB/T276-1994	Bearing 6204-2RZ	2	01.05.1420
17	GB/T894.1-1986	Axial elastic ring 19	1	01.04.0313
18	GB/T1099-1979	Semi circular key 4x16	1	01.06.0080
19	D24.0117.0002	Sleeve	1	05.01.01.182
20	D24.0117.0001	Blade	1	06.02.202
21	D24.0117.0004	Dish washer	1	06.03.325
22	GB/T97.1-1985	Washer 10	1	01.04.0373
23	ANSI B 18.2.1	Bolt	1	01.02.0325

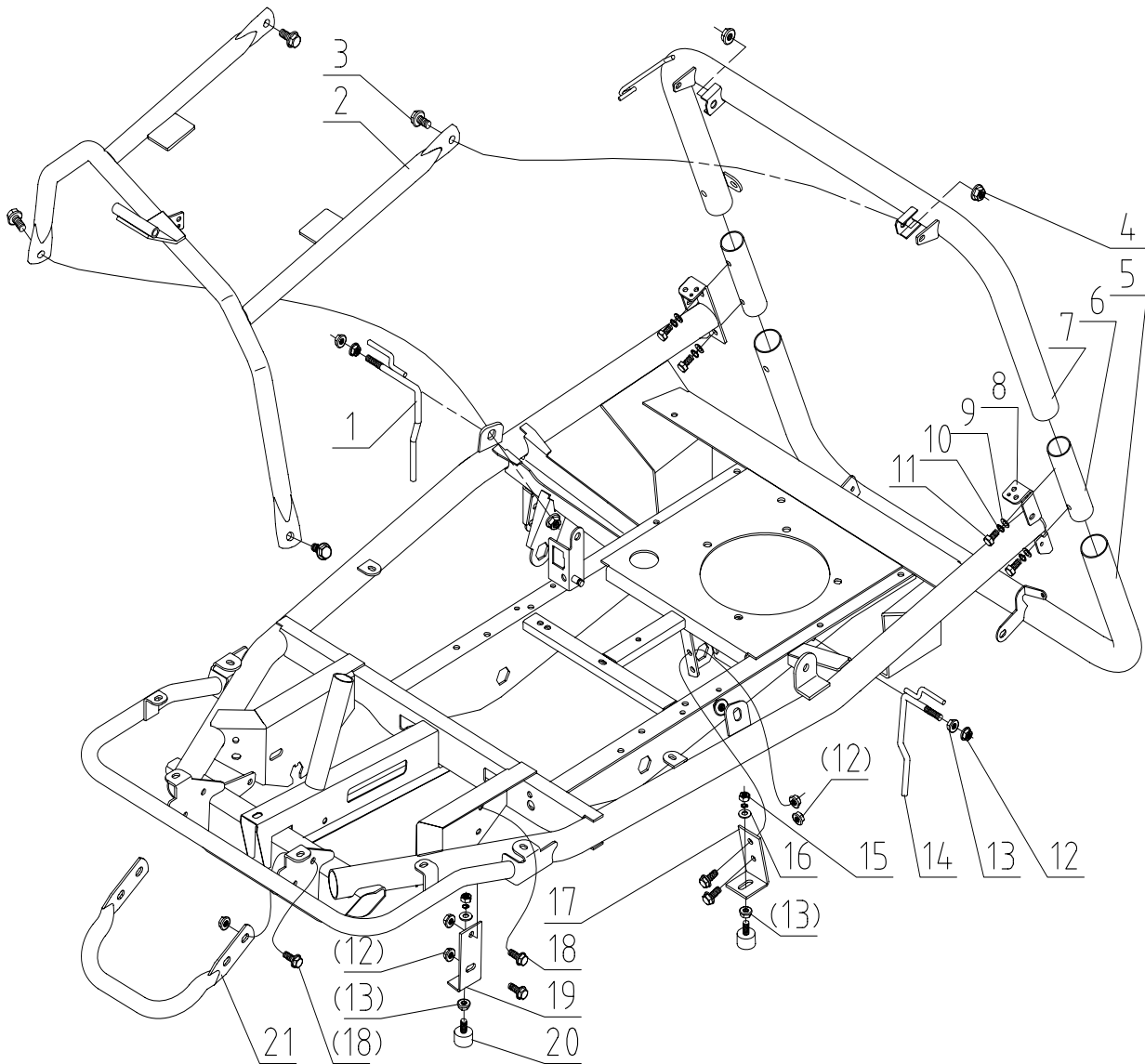
GEAR 24 PARTS DIAGRAM



STEERING

1	D24.0112.0100	Steering column assembly	1	06.02.165
2	GB/T6183.1-2000	Hexagon lock nut M8	4	01.03.0093
3	GB/T304.2-1988	Left joint bearing SIJK8C	2	01.05.1450
4	GB/T6170-2000	Nut M8(left)	2	01.03.0283
5	D24.0112.0002	Pull rod	2	06.06.446
6	GB/T6170-2000	Nut M8	2	01.03.0273
7	GB/T304.2-1988	Joint bearing SIJK8C	2	01.05.1440
8	D24.0112.0001	Spacer	8	06.06.442
9	GB/T5782-2000	Bolt M8X35	4	01.02.0313
10	GB/T955-1987	Wave spring washer	2	01.04.0501
11	D24.0112.0003	Bush	2	04.07.01.01401
12	GB/T97.1-1985	Washer 20	1	01.04.0103
13	GB/T894.1-1986	Axial elastic ring 19	1	01.04.0313
14	GB/T6183.1-2000	Hexagon lock nut M6	2	01.03.0343
15	D24.0112.0004	Steering column extension rod	1	05.01.01.179
16	GB/T70.1-2000	Screw M6X35	2	01.01.2261
17	D24.0112.0200	Steering wheel	1	04.07.01.03901

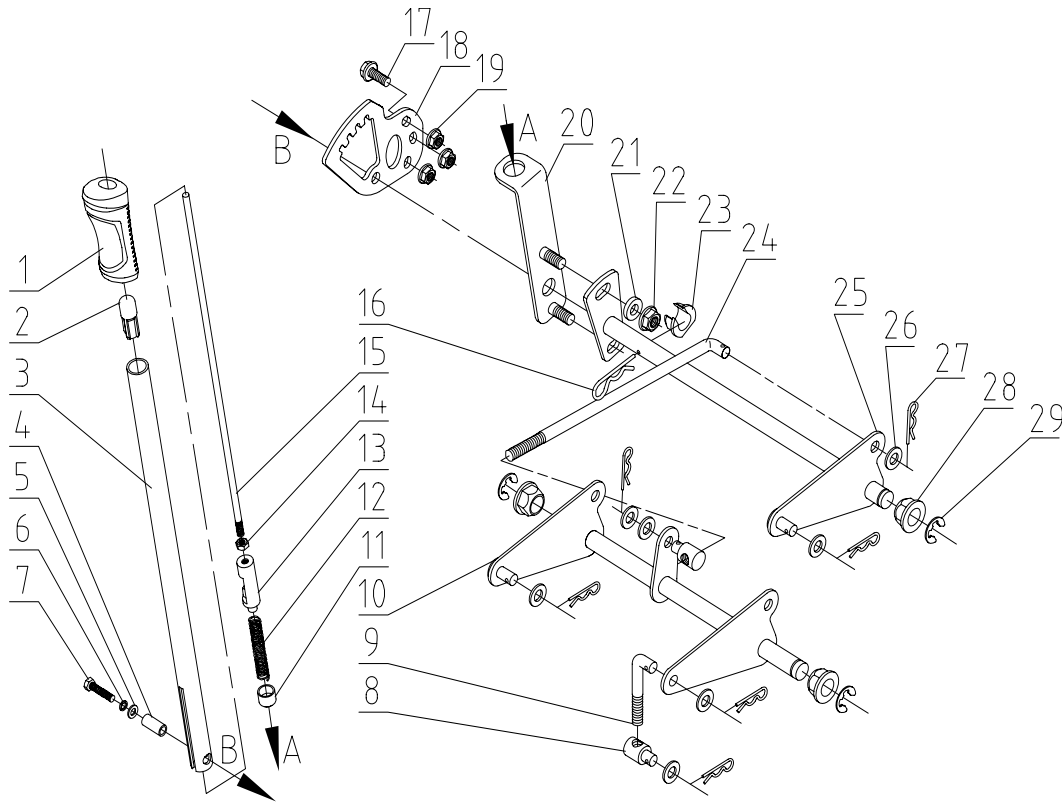
GEAR 24 PARTS DIAGRAM



FRAME 62A

1	D24.0104.0900	Right rod assembly	1	06.02.160
2	D24.0106.0400	Chassis assembly	1	06.02.185
3	GB/T5789-1986	Hexagon lock M10X1.25X25	4	01.02.0393
4	GB/T6177.2-2000	Hexagon nut 10X1.25	4	01.03.0313
5	D24.0106.0600	Rear lower pipe assembly	1	06.02.154
6	D24.0106.0300	Inner liner tube assembly	2	06.02.187
7	D24.0106.0500	Rear upper pipe assembly	1	06.02.153
8	D24.0106.0100	Frame	1	06.02.151
9	GB/T96-1985	Big washer 8	4	01.04.1301
10	GB/T93-1987	Spring washer 8	6	01.04.1163
11	GB/T5789-2000	Hexagon bolt M8X25	4	01.02.0531
12	GB/T6183.1-2000	Hexagon lock nut M8	10	01.03.0093
13	GB/T6177.1-2000	Hexagon nut M8	4	01.03.0441
14	D24.0104.0800	Left rod assembly	1	06.02.159
15	GB/T6170-2000	Nut M8	2	01.03.0273
16	GB/T97.1-1985	Washer 8.1x17x1.6	2	01.04.0143
17	D24.0106.0004	Rear damper	1	06.03.335
18	GB/T5789-1986	Hexagon bolt M8X20	8	01.02.0363
19	D24.0106.0003	Front damper	1	06.03.334
20	D24.0106.0002	Bumper cushion	2	03.05.2.009
21	D24.0106.0001	Front protect pipe	1	06.06.701

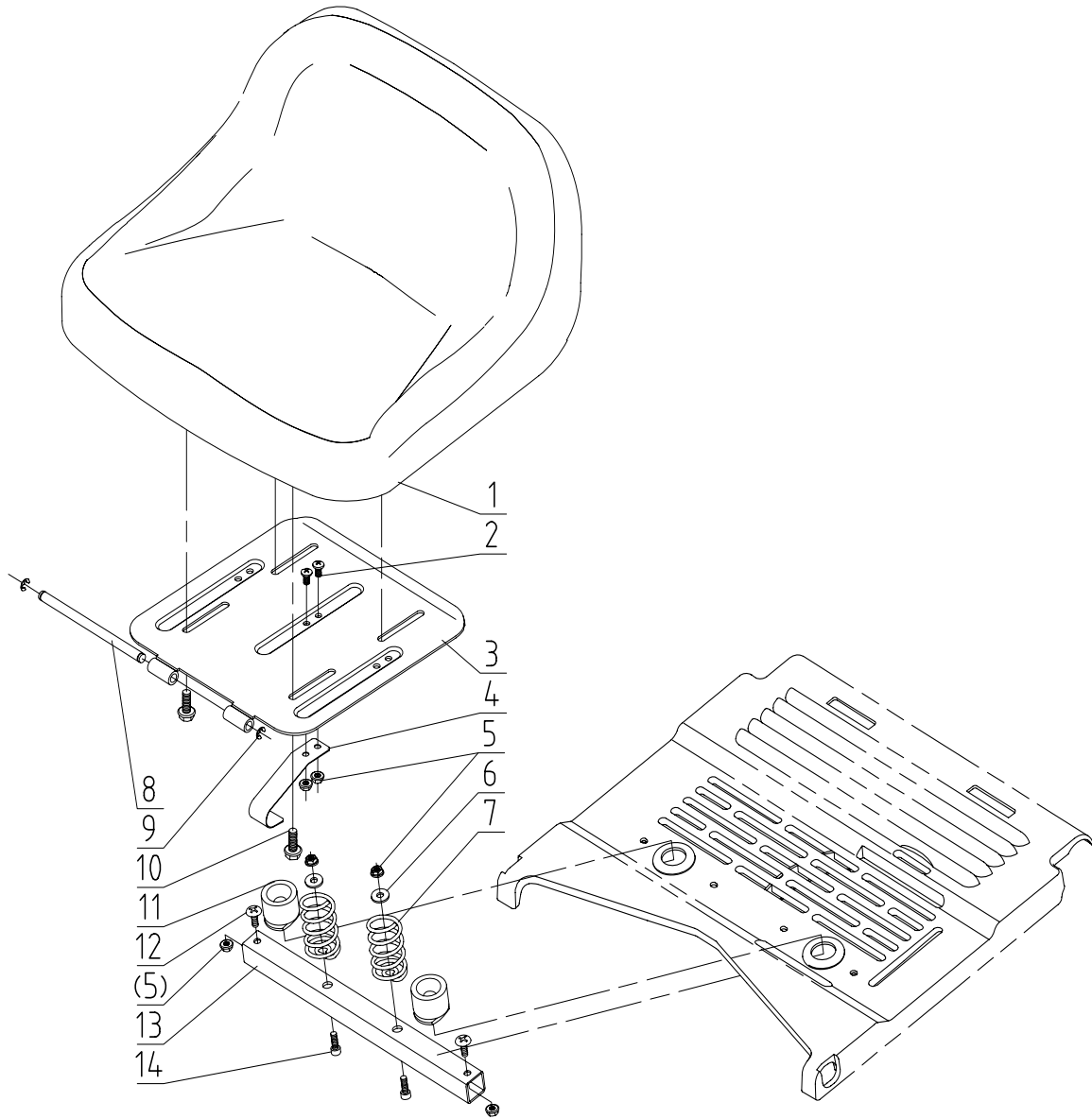
GEAR 24 PARTS DIAGRAM



LIFT

1	D24.0116.0002	Lift handle	1	04.07.01.08400
2	D24.0116.0001	Button	1	04.07.01.00301
3	D24.0116.0003	Lever	1	06.02.178
4	D24.0116.0008	Bush	1	06.06.431
5	GB/T97.1-1985	Washer 6	1	01.04.0301
6	GB/T93-1987	Spring washer 6	1	01.04.0311
7	GB/T5782-2000	Bolt M6X35	1	01.02.0213
8	D24.0116.0013	Adjusting pin	2	06.06.428
9	D24.0116.0014	Adjusting rod	1	06.06.429
10	D24.0116.0300	Front arm assembly	1	06.02.177
11	D24.0116.0007	Spring retainer	1	06.06.430
12	D24.0116.0006	Spring	1	06.03.321
13	D24.0116.0005	Pin	1	06.03.331
14	GB/T6170-2000	Nut M6	1	01.03.0263
15	D24.0116.0004	Push rod	1	06.06.447
16	D40.0105.0004	Cotter pin $\phi 3$	1	00.01.05.0030
17	GB/T5789-1986	Hexagon bolt M8X20	3	01.02.0363
18	D24.0116.0009	Pinion rack	1	06.03.332
19	GB/T6177.1-2000	Hexagon nut M8	3	01.03.0441
20	D24.0116.0100	Lift arm assembly	1	06.02.175
21	D24.0116.0010	WASHER $\phi 10.1 \times \phi 20 \times 4$	2	01.04.1442
22	GB/T6183.2-2000	Hexagon lock nut M10X1.25	2	01.03.0323
23	D24.0114.0003	Snap bush	1	04.07.01.01301
24	D24.0116.0011	Joint rod	1	06.06.432
25	D24.0116.0200	Rear arm assembly	1	06.02.176
26	GB/T97.1-1985	Washer 10	8	01.04.0373
27	D24.0113.0001	Cotter pin	6	06.03.337
28	D24.0116.0012	Hexagon bush	3	04.07.01.01201
29	GB/T896-1986	Snap ring 12	3	01.04.0243

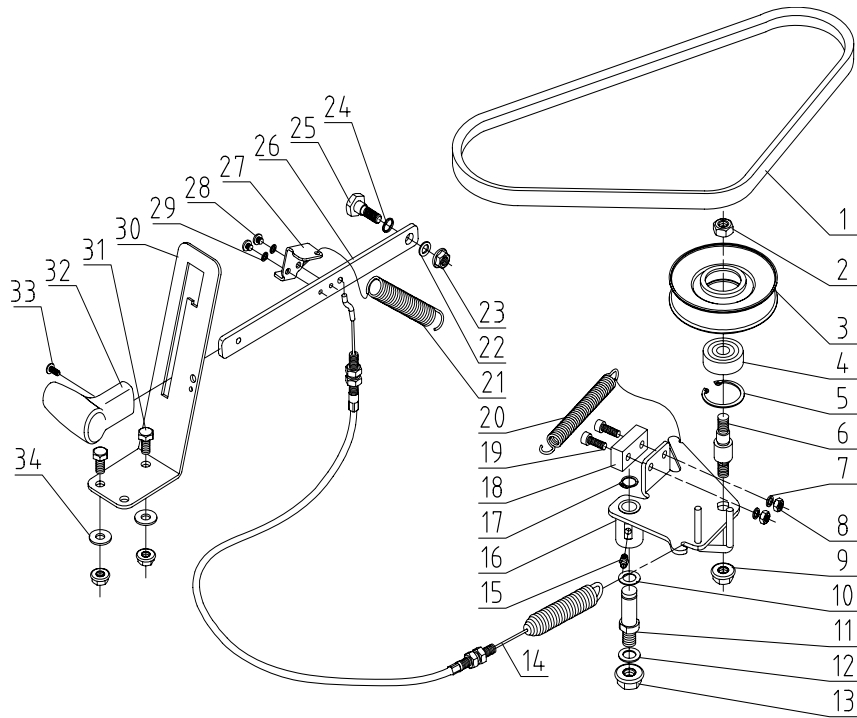
GEAR 24 PARTS DIAGRAM



SEAT

1	D24.0115.0200	Seat	1	06.06.449
2	GB/T818-2000	Screw M6X16	2	01.01.3271
3	D24.0115.0100	Plate	1	06.02.150
4	D24.0123.0005	Seat switch contact	1	06.03.329
5	GB/T6183.1-2000	Hexagon lock nut M6	6	01.03.0233
6	GB/T96-1985	Washer 6	2	01.04.0171
7	D24.0115.0004	Spring	2	06.03.327
8	D24.0115.0001	Pin	1	06.03.333
9	GB/T896-1986	Snap ring 6	2	01.04.1070
10	GB/T5789-1986	Hexagon bolt M8x20	4	01.02.0363
11	D24.0115.0002	Rubber cushion	2	03.05.2.002
12	GB/T70.2-2000	SCREW M6×16	2	01.01.4341
13	D24.0115.0003	Seat support pipe	1	06.02.190
14	GB/T70.1-2000	Screw M6X20	2	01.01.5033

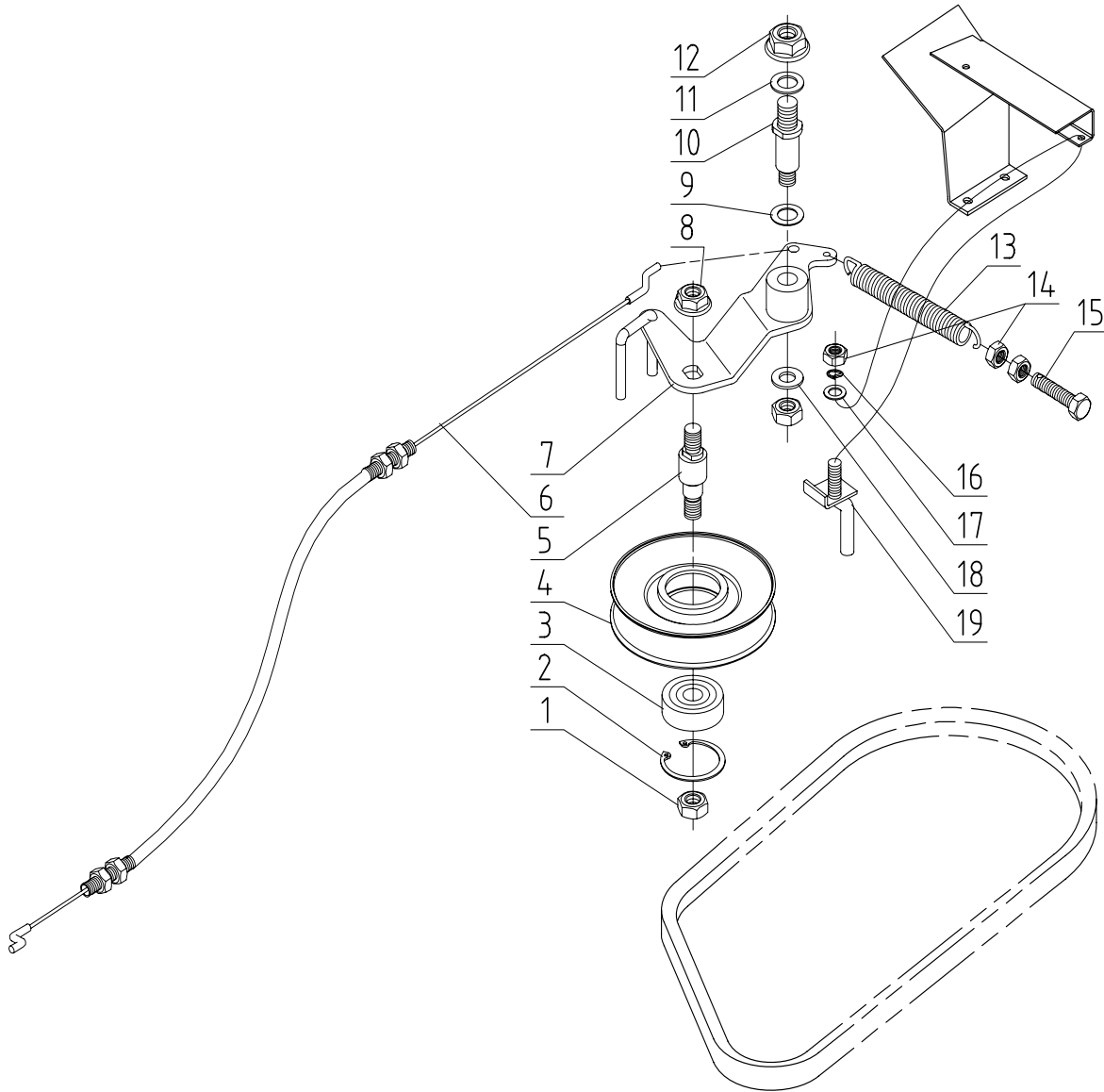
GEAR 24 PARTS DIAGRAM



CUTTING CLUTCH

1	D24.0104.0018	V belt B1080Ld17*1040Li B41	1	D24.0104.0018
	XCH62-1	V belt XCH62-1	1	03.05.2.014
2	GB/T889.2-2000	Hexagon lock Nut M10X1.25	1	01.03.0303
3	D24.0104.1100	TENTION PULLEY	1	00.06.02.133
4	GB/T276-1994	BEARING 6301-2RS	1	01.05.1422
5	GB/T893.1-1986	SNAP RING 37	1	01.04.1502
6	D24.0104.0010	Tention pulley shaft	1	06.06.435
7	GB/T93-1987	Spring washer 6	2	01.04.0311
8	GB/T6170-2000	Nut M6	2	01.03.0263
9	GB/T6183.2-2000	Hexagon lock Nut M10X1.25	1	01.03.0323
10	GB/T955-1987	Wave spring washer	1	01.04.0393
11	D24.0104.0008	Cut tention rod	1	06.06.434
12	GB/T97.1-1985	Washer	2	01.04.1203
13	GB/T6183.2-2000	Hexagon lock Nut M12X1.25	1	01.03.0363
14	D24.0104.0500	Cut clutch cable assembly	1	05.02.01.098
15	JB/T7940.1	Oil injection nozzle	1	03.05.2.011
16	D24.0104.0600	Cut tention arm assembly	1	06.06.459
17	GB/T894.1-1986	Axial spring ring 13	1	01.04.0314
18	D24.0104.0009	Brake shoe	1	03.05.2.001
19	GB/T70.1-2000	Screw M6X20	2	01.01.5033
20	D24.0104.0007	Spring 2x12	1	06.03.324
21	D24.0104.0003	Spring	1	06.03.322
22	GB/T97.1-1985	Waher 8.1x17x1.6	1	01.04.0143
23	GB/T6183.1-2000	Hexagon lock nut M8	3	01.03.0093
24	GB/T955-1987	Wave spring washer 10	1	01.04.0203
25	D24.0104.0014	Screw	1	06.06.469
26	D24.0104.0006	Rotary clutch handle	1	06.02.158
27	D24.0104.0004	Clutch switch contact strip	1	06.03.323
28	GB/T818-2000	Screw M5X8	2	01.01.1573
29	GB/T93-1987	Spring washer 5	2	01.04.1153
30	D24.0104.0005	Clutch slot blard	1	06.02.157
31	GB/T5783-2000	Hexagon bolt	2	01.02.0433
32	D24.0104.0013	L-shaped handle	1	04.07.01.01801
33	GB/T845-1985	Tapping screw ST4.2X16F	1	01.01.1661
34	GB/T96-1985	Waher 8	2	01.04.1301

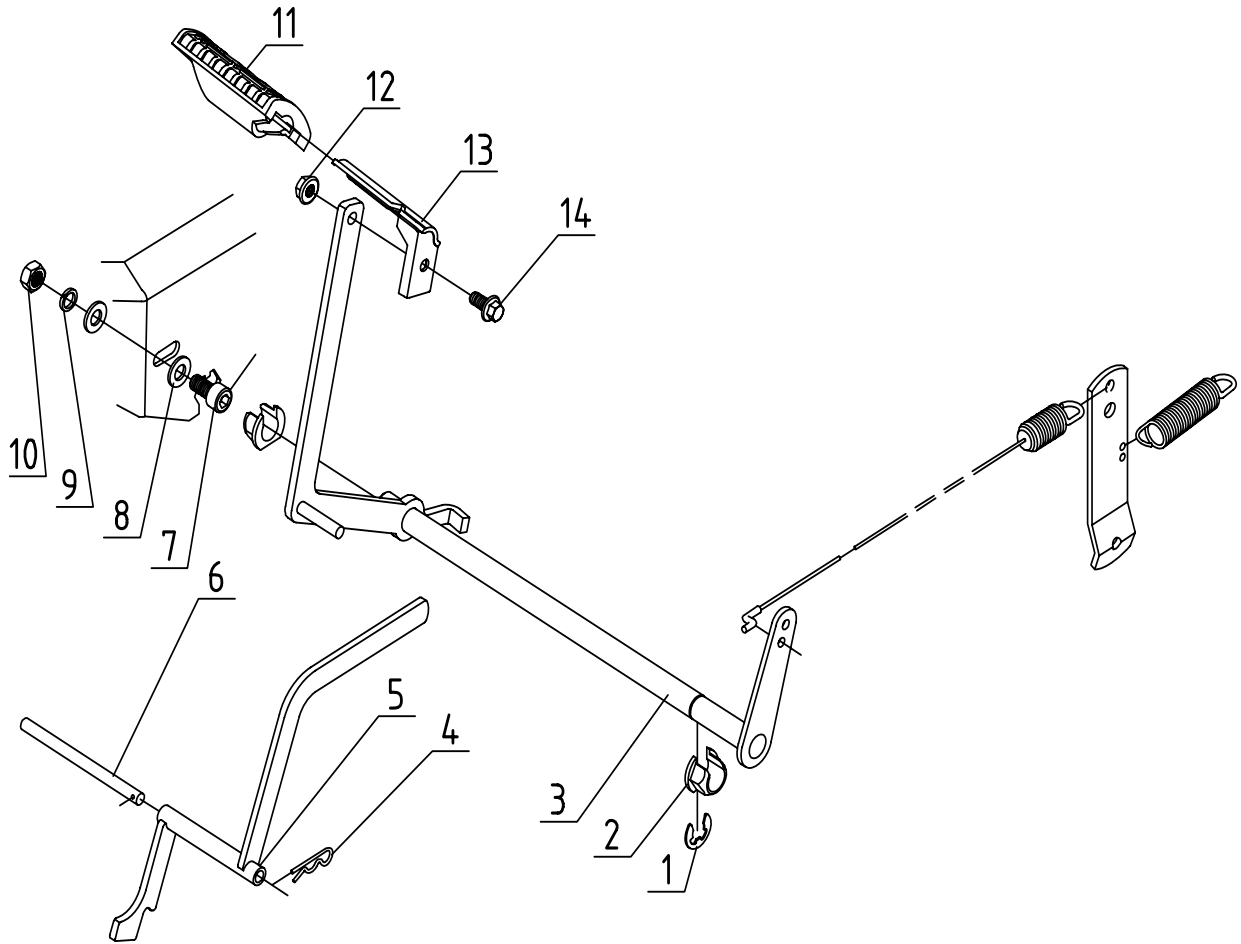
GEAR 24 PARTS DIAGRAM



DRIVE CLUTCH

1	GB/T889.2-2000	Hexagon lock nut M10X1.25	2	01.03.0303
2	GB/T893.1-1986	SNAP RING 37	1	01.04.1502
3	GB/T276-1994	BEARING 6301-2RS	1	01.05.1422
4	D24.0104.1100	TENTION PULLEY	1	00.06.02.133
5	D24.0104.0010	Tention pulley shaft	1	06.06.435
6	D24.0104.0400	Driving clutch cable assembly	1	06.06.450
7	D24.0104.0200	Driving tention arm assembly	1	06.02.156
8	GB/T6183.2-2000	Hexagon lock nut M10X1.25	1	01.03.0323
9	GB/T955-1987	Wave spring washer	1	01.04.0393
10	D24.0104.0001	Driving tention axle	1	06.06.433
11	GB/T97.1-1985	Washer	3	01.04.1203
12	GB/T6177.2-2000	Hexagon nut M12X1.25	1	01.03.0213
13	D24.0104.0007	Spring 2x12	1	06.03.324
14	GB/T6170-2000	Nut M8	3	01.03.0273
15	D24.0104.0012	Eye bolt	1	06.06.473
16	GB/T93-1987	Spring washer 8	1	01.04.1163
17	GB/T97.1-1985	Washer 8	1	01.04.0143
18	D24.0104.0002	Wear washer10.2x19	1	06.02.106
19	D24.0104.1000	Rear rod	1	01.02.0632

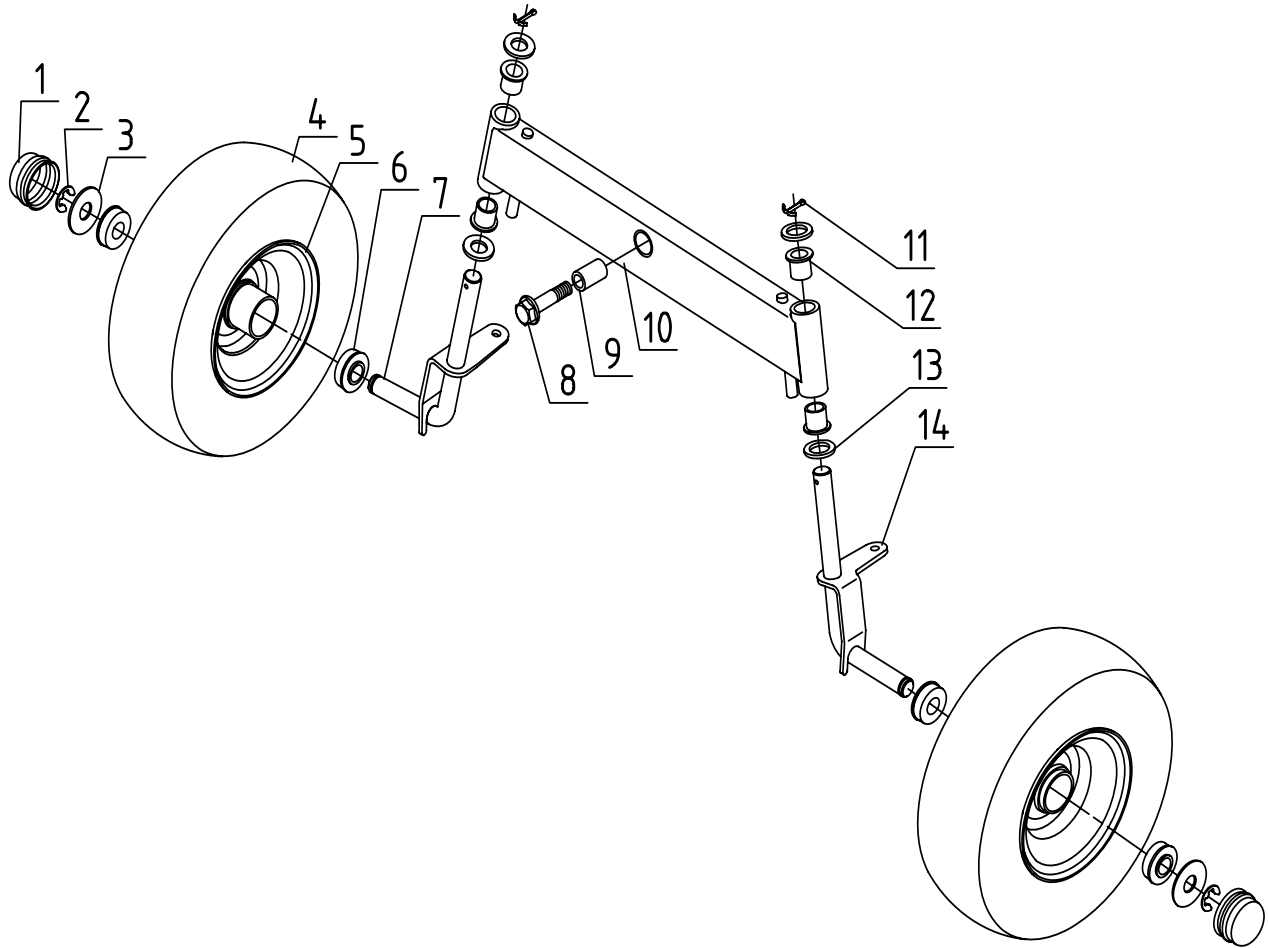
GEAR 24 PARTS DIAGRAM



BRAKE

1	GB/T896-1986	Snap ring 12	1	01.04.0243
2	D24.0114.0003	Snap bush	2	04.07.01.01301
3	D24.0114.0300	Brake pedal assembly	1	06.02.171
4	D24.0113.0001	Cotter pin	1	06.03.337
5	D24.0114.0200	Brake handle assembly	1	06.02.170
6	D24.0114.0002	Brake axle pin	1	06.06.445
7	GB/T70.1-2000	Screw M10X20	1	01.01.5063
8	GB/T97.1-1985	Washer 10	2	01.04.0373
9	GB/T93-1987	Spring washer 10	1	01.04.1173
10	GB/T6170-2000	Nut M10	1	01.03.0293
11	D24.0114.0001	Brake pedal	1	D24.0114.0001
12	GB/T6183.1-2000	Hexagon lock nut M8	1	01.03.0093
13	D24.0114.0100	Brake pedal bracket	1	D24.0114.0100
14	GB/T5789-1986	Hexagon bolt M8X20	1	01.02.0363

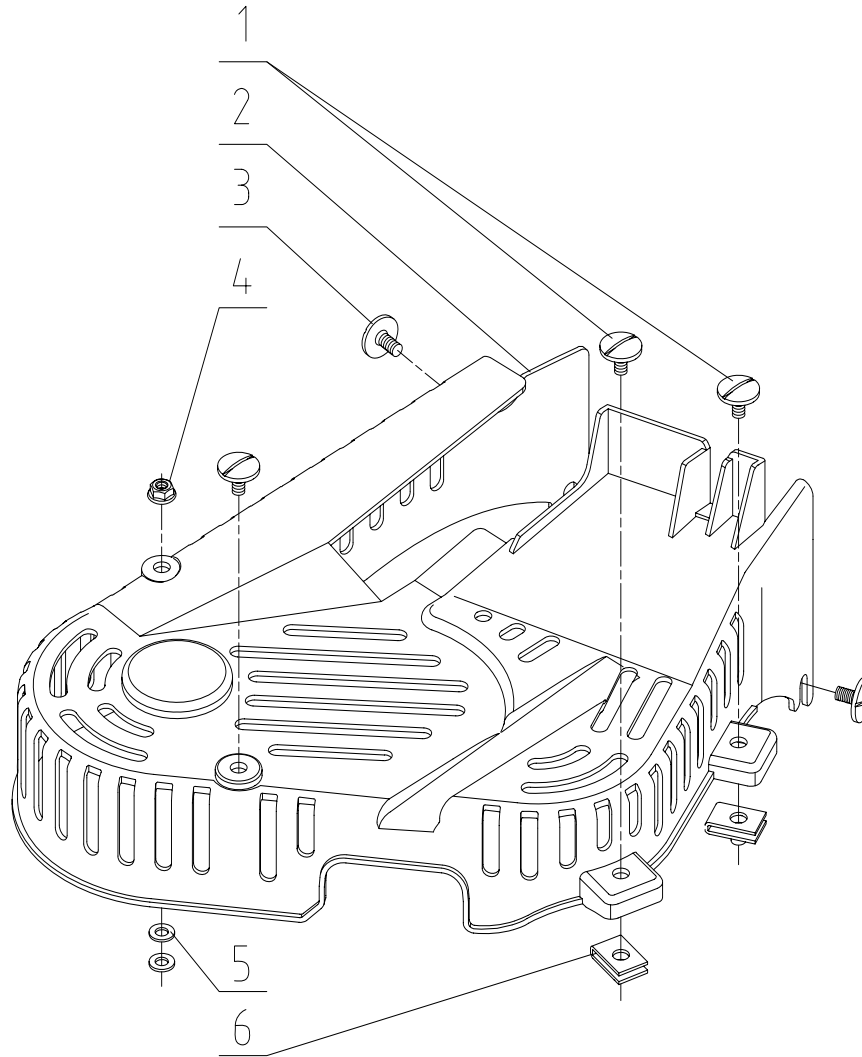
GEAR 24 PARTS DIAGRAM



FRONT BRIDGE

1	D24.0109.0001	Hub cover	2	06.06.472
2	GB/T896-1986	Snap ring 12	2	01.04.0243
3	D24.0108.0003	Washer 17x44x2	2	06.02.142
4	D24.0109.0101	Tyre without inner tube	2	06.06.461
5	D24.0109.0300	Front rim	2	06.06.454
6	D24.0109.0200	Bearing 1635	4	01.05.1430
7	D24.0108.0100	Right stub axle assembly	1	06.02.161
8	GB/T5789-1986	Hexagon bolt M12x1.25x50	1	01.02.0403
9	D24.0108.0002	Liner tube	1	06.02.189
10	D24.0108.0200	Front axle assembly	1	06.02.162
11	GB/T91-2000	Cotter pin	2	01.05.0313
12	D24.0108.0001	Bush	4	04.07.01.02001
13	GB/T97.1-1985	Washer 16	4	01.04.0083
14	D24.0108.0300	Left stub axle assembly	1	06.02.163

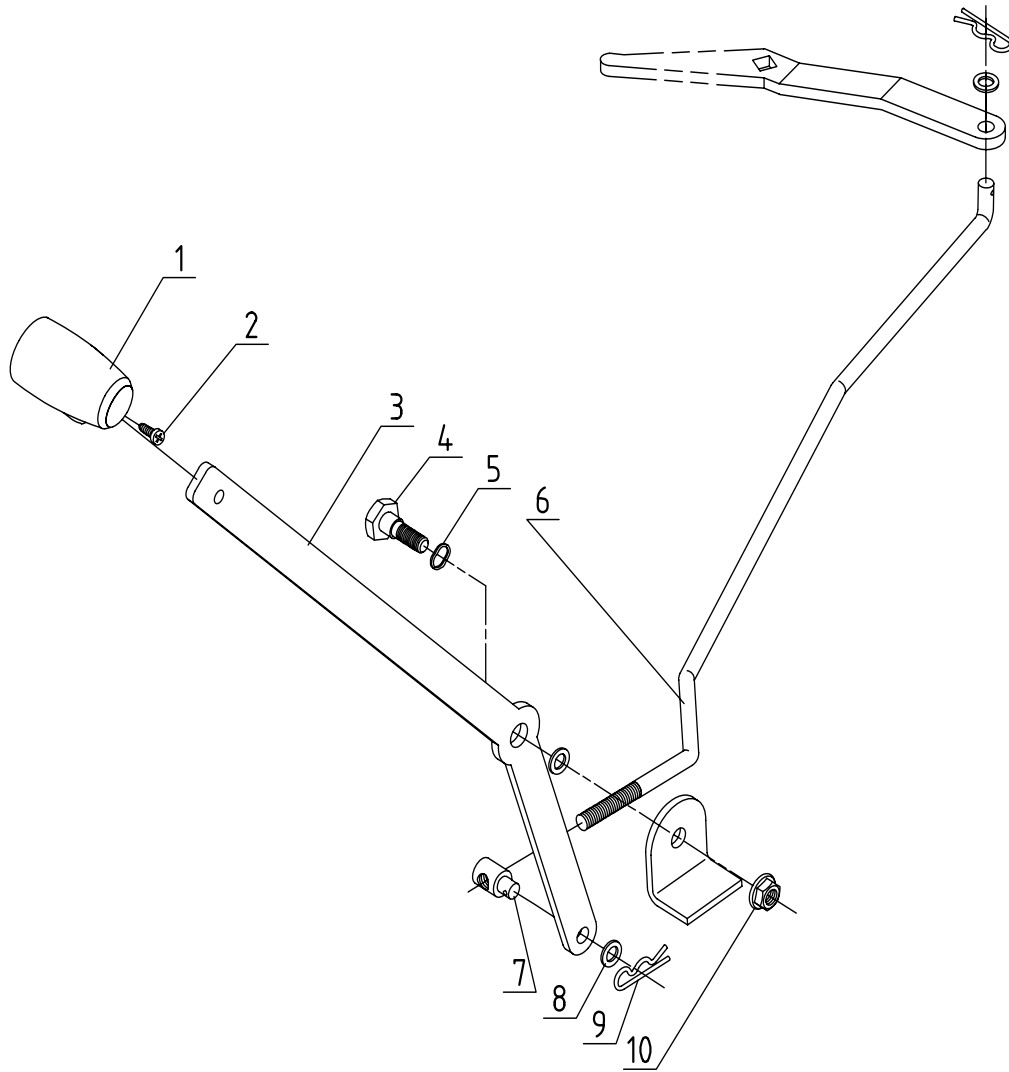
GEAR 24 PARTS DIAGRAM



BELT GUARD

1	GB/T947-1988	Screw M6X16	2	01.01.4341
2	D24.0120.0100	Front belt cover	1	04.07.01.03601
3	GB/T947-1988	Screw M6X12	3	01.01.2470
4	GB/T6183.1-2000	Hexagon lock nut M6	1	01.03.0343
5	GB/T97.1-1985	Washer 6	2	01.04.0301
6	D24.0117.0010	Buckle nut M6	2	01.03.253

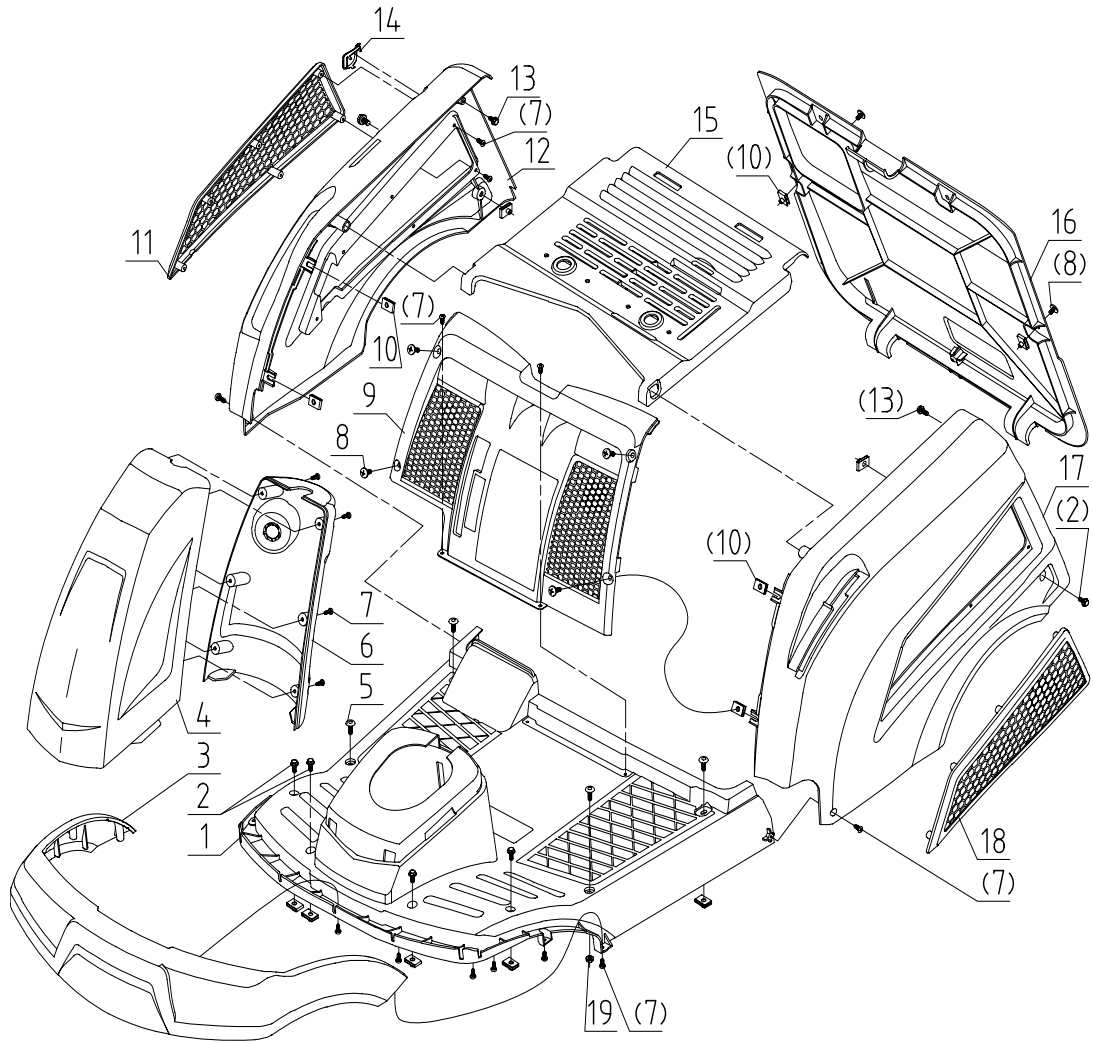
GEAR 24 PARTS DIAGRAM



SHIFT

1	D24.0104.0013	Knob	1	04.07.01.01801
2	GB/T845-1985	Tapping screw ST4.2x16F	1	01.01.1661
3	D24.0113.0004	Gear shift lever	1	06.02.168
4	D24.0104.0014	Screw	1	06.06.469
5	GB/T955-1987	Wave spring washer 10	1	01.04.0203
6	D24.0113.0003	Gear shift rod	1	06.02.167
7	D24.0113.0005	Gear shift pin	1	06.02.203
8	GB/T97.1-1985	Washer 8.1x1.7x1.6	3	01.04.0143
9	D24.0113.0001	Cotter pin	2	06.03.337
10	GB/T6183.1-2000	Hexagon lock nut M8	1	01.03.0093

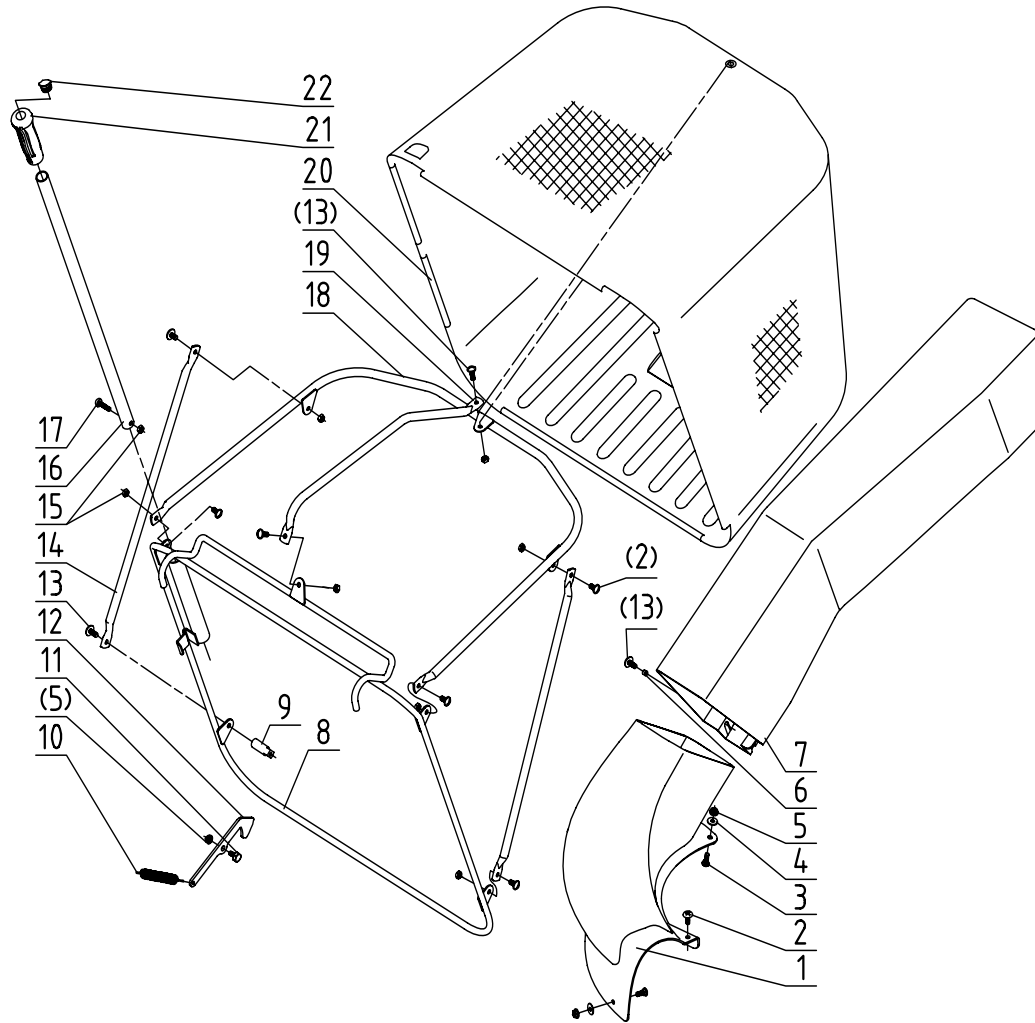
GEAR 24 PARTS DIAGRAM



HOOD COVER 62A

1	D24.0119.0004	Bottom plate	1	04.07.01.01600
2	GB/T5789-1986	Hexagon bolt M6X20	6	01.02.0011
3	D24.0119.0001	Front cover	1	04.07.01.07602 (红)
4	D24.0119.0002	Front column cover	1	04.07.01.07702 (红)
5	GB/T947-1988	Screw M6X20	4	01.01.2022
6	D24.0119.0003	Rear column cover	1	04.07.01.07802 (红)
7	GB/T845-1985	Tapping screw ST4.8x16	33	01.01.1783
8	GB/T70.2-2000	SCREW M6×16	8	01.01.4341
9	D24.0119.0005	Front engine cover	1	04.07.01.07905 (灰)
10	D24.0117.0010	Buckle nut M6	16	01.03.253
11	D24.0119.0007	Rear window	1	04.07.01.08205 (灰)
12	D24.0119.0010	Rear column cover	1	04.07.01.08002 (红)
13	GB/T845-1985	Tapping screw ST6x16	2	01.01.4172
14	D24.0119.0013	Cap sleeve	1	05.01.05.0334
15	D24.0119.0008	Engine cover	1	04.07.01.00705
16	D24.0119.0012	Rear cover	1	04.07.01.01901
17	D24.0119.0011	Left cover plate	1	04.07.01.08102 (红)
18	D24.0119.0009	Left window	1	04.07.01.08305 (灰)
19	GB/T6177.1-2000	Hexagon flange nut M6	2	01.03.0353

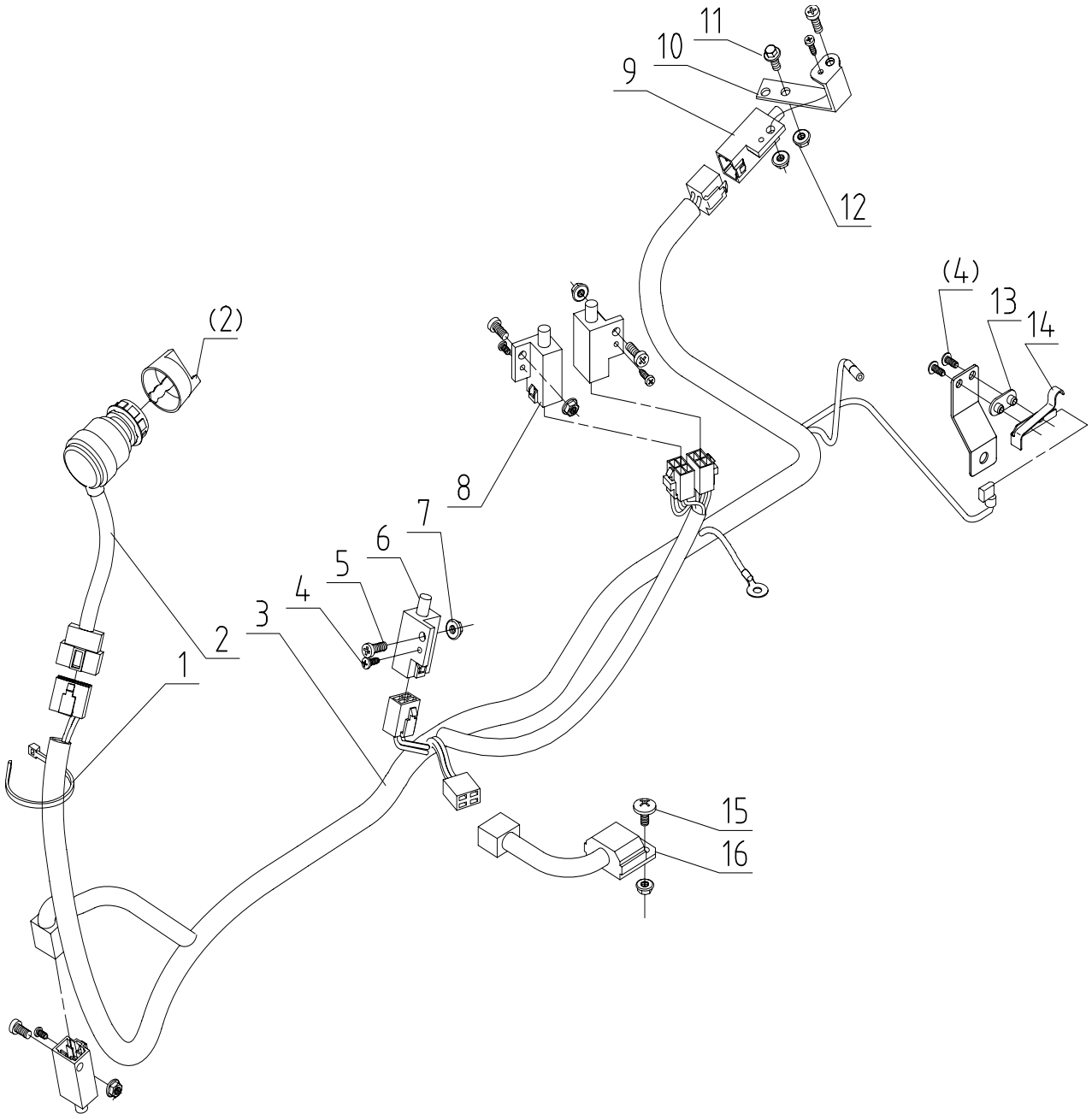
GEAR 24 PARTS DIAGRAM



GRASS

1	D24.0118.0001	Front grass collector	1	06.02.193
2	GB/T947-1988	Screw M6X12	7	01.01.2470
3	GB/T12-1988	Bolt M6X16	4	01.02.0413
4	GB/T96-1985	Washer 6	4	01.04.1213
5	GB/T6183.1-2000	Hexagon lock nut	5	01.03.0343
6	D24.0118.0002	Spacer	1	06.03.336
7	D24.0118.0003	Rear grass collector	1	04.07.01.03201
8	D24.0118.0400	Mount frame assembly	1	06.02.147
9	D24.0118.0103	Nut	1	01.03.0481
10	D24.0118.0007	Spring	1	06.02.204
11	D24.0118.0009	Pin screw	1	06.06.460
12	D24.0118.0008	Hook	1	06.06.334
13	GB/T70.2-2000	SCREW M6×16	3	01.01.4341
14	D24.0118.0101	Side stay pipe	2	06.02.148
15	GB/T889.1-2000	Hexagon lock nut M6	8	01.03.0471
16	D24.0118.0006	Side stay pipe	1	06.02.192
17	GB/T818-2000	Screw M6X25	1	01.01.1843
18	D24.0118.0300	Girder frame assembly	1	06.02.146
19	D24.0118.0102	Rod	1	06.02.149
20	D24.0118.0200	Grass catcher	1	06.02.196
21	D24.0118.0005	Lift handle	1	04.07.01.01101
22	D24.0118.0004	Core plug	1	03.04.1.016

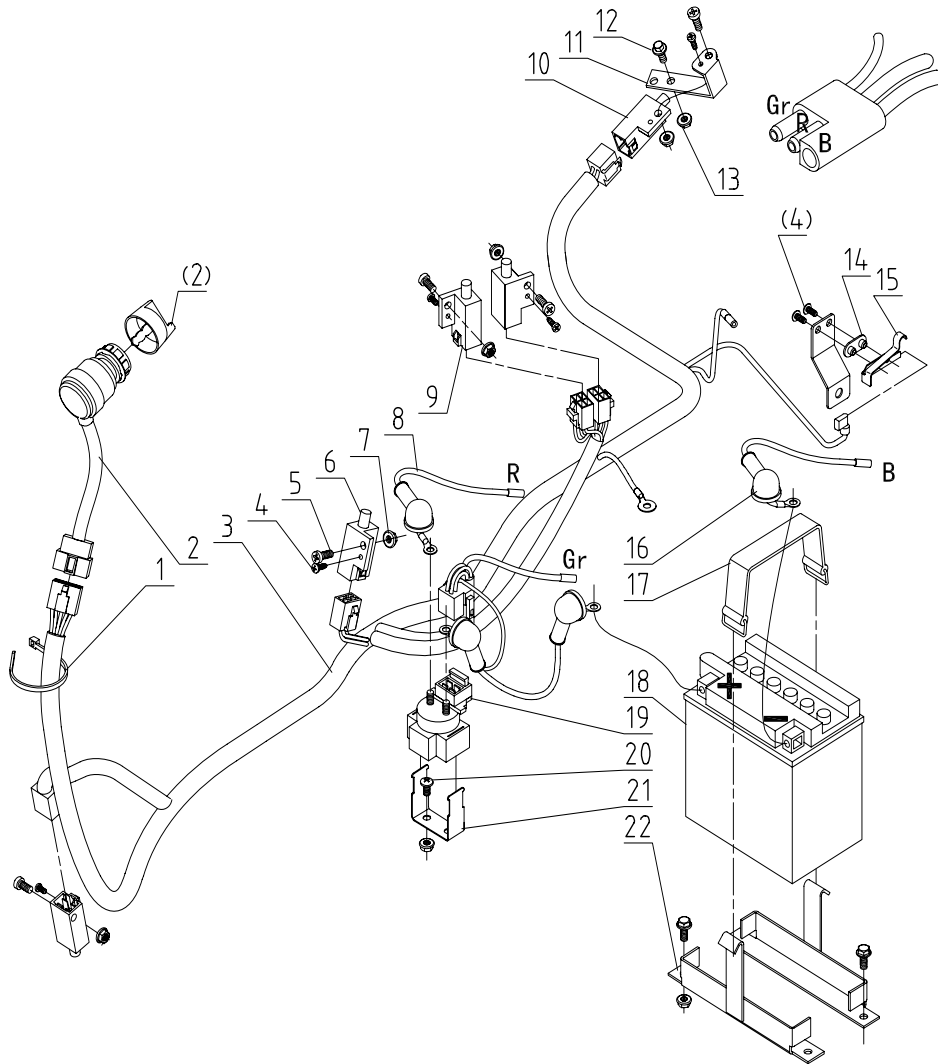
GEAR 24 PARTS DIAGRAM



ELECTRIC M

1	Cable tie	15	04.03.0003009
2	D24.0123.1100	Electric door lock key	1 02.05.67
3	D24.0123.0100	Electric cable(manual start)	1 02.39.01
4	GB/T845-1985	Tapping screw ST4.2X13F	7 01.01.1073
5	GB/T818-2000	Screw M6X16	5 01.01.4171
6	24.0123.1000	Open close switch	2 02.05.66
7	GB/T6177.1-2000	Hexagon flange nut M6	5 01.03.0353
8	D24.0123.0700	Double normally closed switch	2 02.05.65
9	D24.0123.0500	Single normally closed switch	1 02.05.64
10	D24.0123.0004	Clamp	1 06.02.174
11	GB/T5789-1986	Hexagon flange bolt M6X16	2 01.02.0054
12	GB/T6183.1-2000	Hexagon flange lock nut M6	4 01.03.0343
13	D24.0123.0002	Insulating strip	1 04.07.01.02101
14	D24.0123.0003	Switch contact chip	1 06.03.065
15	GB/T818-2000	Screw M6X16	2 01.01.4171
16	D24.0123.0600	Protector	1 02.33.41

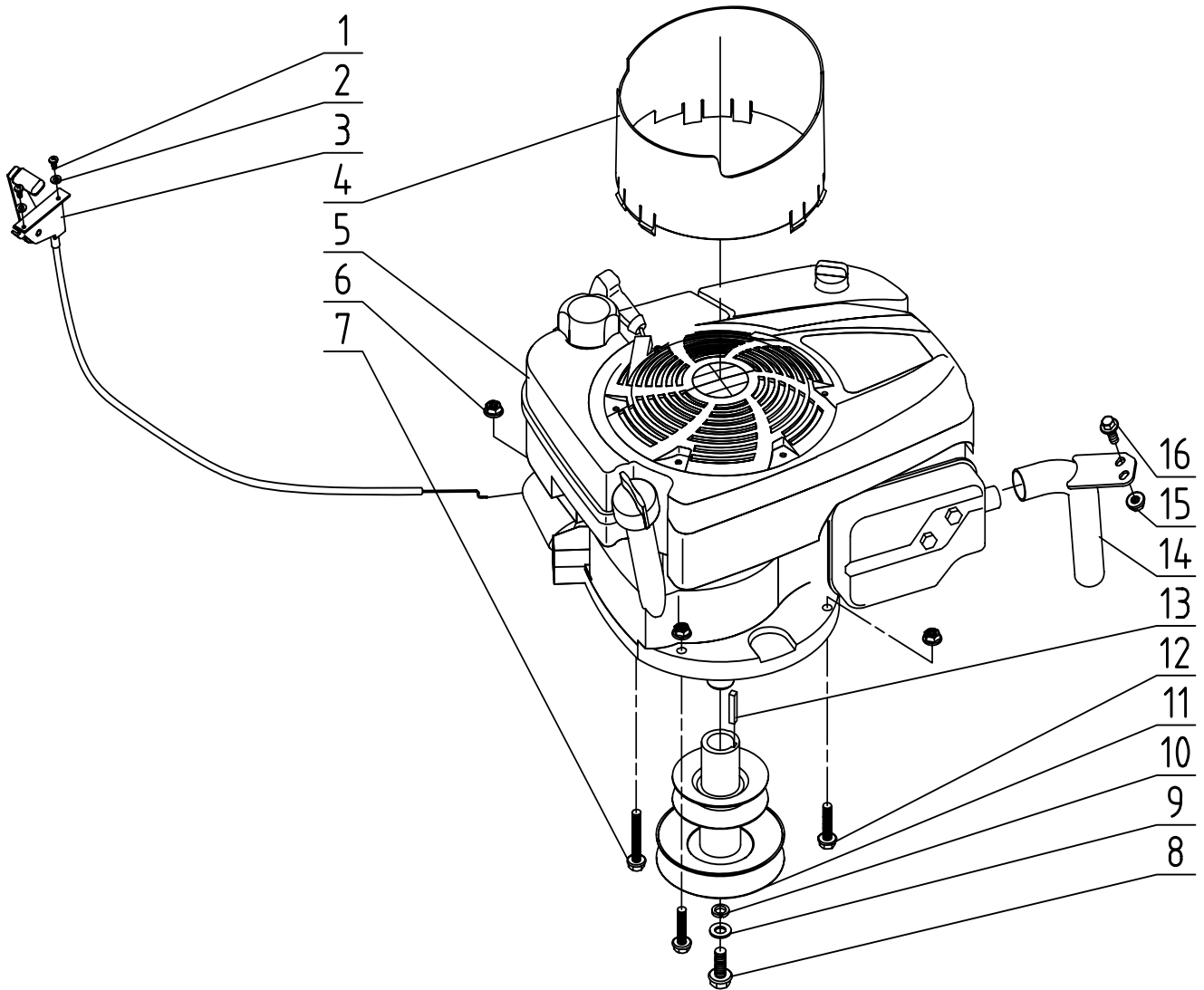
GEAR 24 PARTS DIAGRAM



ELECTRIC E

1	Cable tie	20	04.03.0003009
2	D24.0123.1100 Electric door lock key	1	02.05.67
3	D24.0123.0200 Electric cable (electric start)	1	02.39.02
4	GB/T845-1985 Tapping screw ST4.2X13F	6	01.01.1073
5	GB/T818-2000 Screw M6X16	5	01.01.4171
6	D24.0123.1000 Open close switch	2	02.05.66
7	GB/T6177.1-2000 Hexagon flange nut M6	4	01.03.0353
8	(D24.0123.0200) Power cord	1	02.39.05
9	D24.0123.0700 Double normally closed switch	2	02.05.65
10	D24.0123.0500 Single normally closed switch	1	02.05.64
11	D24.0123.0004 Clamp	1	06.02.174
12	GB/T5789-1986 Hexagon flange bolt M6X16	6	01.02.0054
13	GB/T6183.1-2000 Hexagon flange lock nut M6	8	01.03.0343
14	D24.0123.0002 Insulating strip	1	04.07.01.02101
15	D24.0123.0003 Switch contact chip	1	06.03.065
16	(D24.0123.0200) Battery negative cable	1	02.39.04
17	D24.0123.0900 Belt	1	03.05.2.003
18	D24.0123.0008 Battery	1	02.33.49
19	D24.0123.0007 Star relay	1	02.33.44
20	GB/T818-2000 Screw M6X16	2	01.01.4171
21	D24.0123.0006 Clamp	1	06.02.197
22	D24.0123.0800 Clamp	2	02.33.46

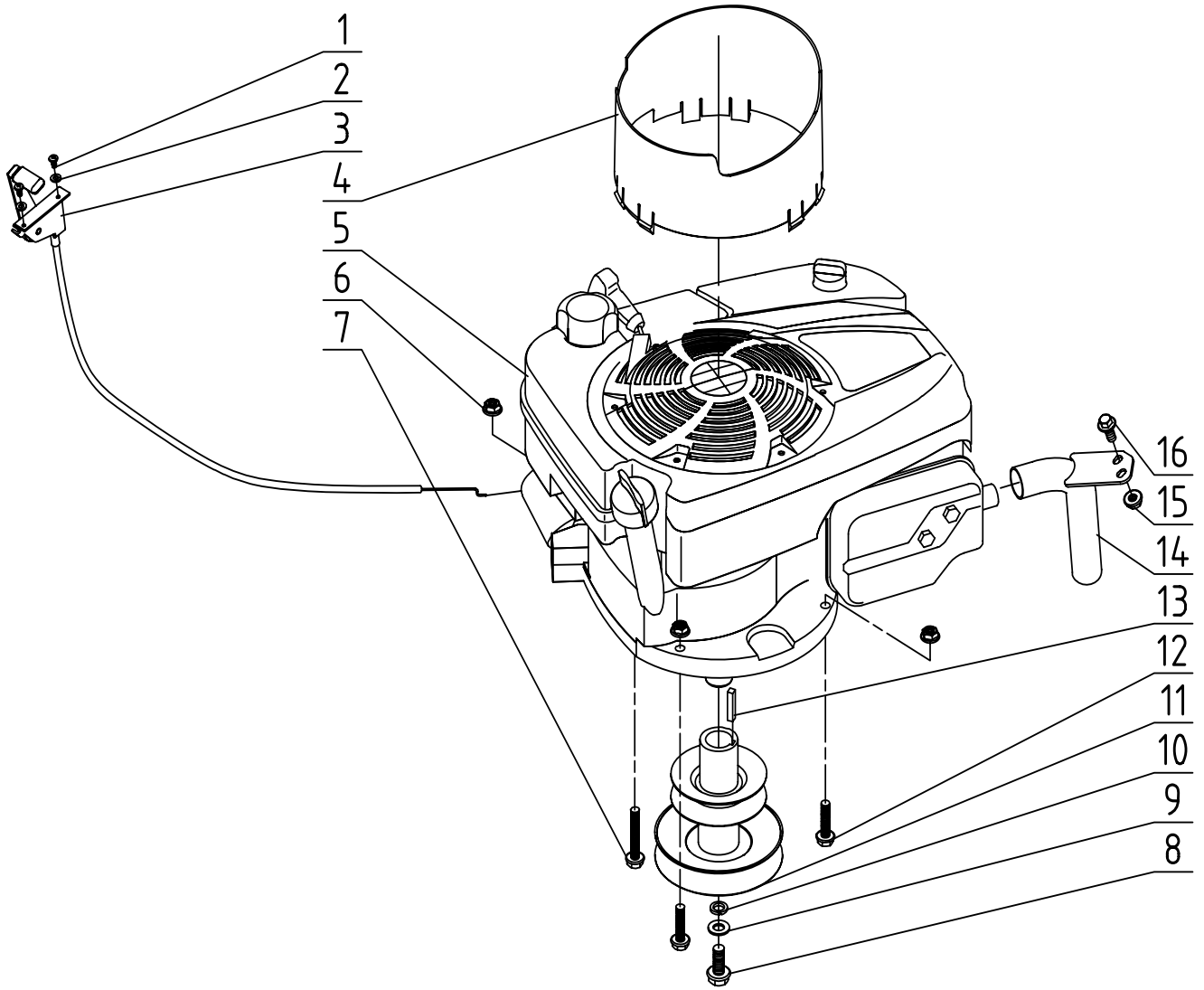
GEAR 24 PARTS DIAGRAM



— ENGINE CONTROL

1	GB/T818-2000	Screw M4X8	2	01.01.1793
2	GB/T97.1-1985	Washer 4	2	01.04.1143
3	D24.0101.0100	Throttle cable	1	06.06.448
4	D24.0119.0006	Air director	1	04.07.01.01501
5	D24.0100.0004	190cc Engine (manual start)	1	06.06.496
6	GB/T6183.1-2000	Hexagon lock nut M8	3	01.03.0093
7	GB/T5789-1986	Hexagon bolt M8X60	1	01.02.0383
8	ANSI B 18.2.1	Bolt	1	01.02.0324
9	GB/T97.1-1985	Washer 10	1	01.04.0373
10	ASME B18.21.1	Spring washer 3/8"	1	01.04.0144
11	D24.0104.0700	Step pulley	1	06.02.179
12	GB/T5789-1986	Hexagon bolt M8X35	2	01.02.0423
13	D24.0104.0011	Flat key 6.35X30	1	01.06.0140
14	D24.0103.0100	Exhaust connection	1	06.06.468
15	GB/T6183.1-2000	Hexagon lock nut M6	2	01.03.0343
16	GB/T5789-1986	Hexagon bolt M6X16	2	01.02.0054

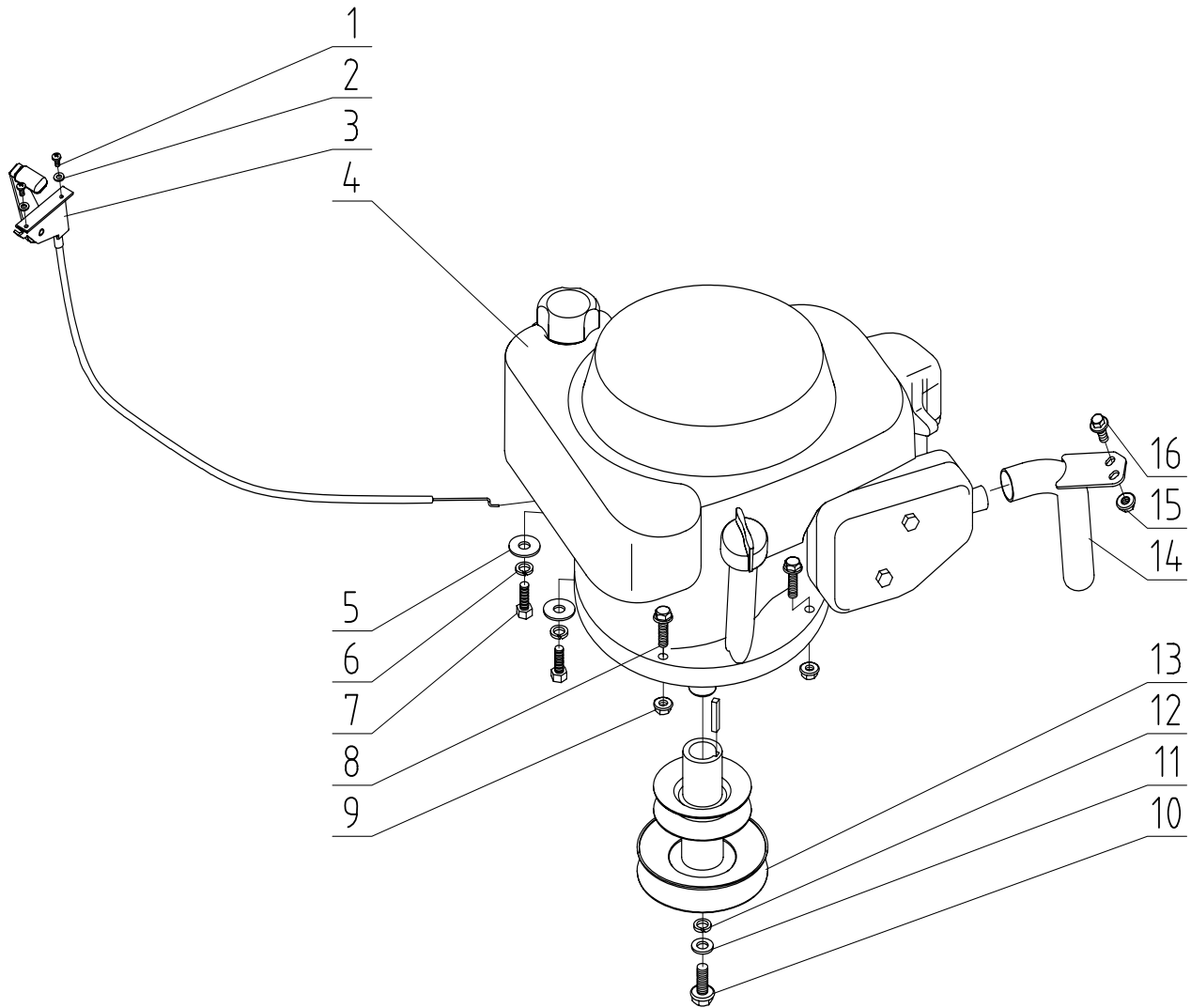
GEAR 24 PARTS DIAGRAM



ENGINE CONTROL

1	GB/T818-2000	Screw M4X8	2	01.01.1793
2	GB/T97.1-1985	Washer 4	2	01.04.1143
3	D24.0101.0100	Throttle cable	1	06.06.448
4	D24.0119.0006	Air director	1	04.07.01.01501
5	D24.0100.0005	190cc Engine (electric start)	1	06.06.494
6	GB/T6183.1-2000	Hexagon lock nut M8	3	01.03.0093
7	GB/T5789-1986	Hexagon bolt M8X60	1	01.02.0383
8	ANSI B 18.2.1	Bolt	1	01.02.0324
9	GB/T97.1-1985	Washer 10	1	01.04.0373
10	ASME B18.21.1	Spring washer 3/8"	1	01.04.0144
11	D24.0104.0700	Step pulley	1	06.02.179
12	GB/T5789-1986	Hexagon bolt M8X35	2	01.02.0423
13	D24.0104.0011	Flat key 6.35X30	1	01.06.0140
14	D24.0103.0100	Exhaust connection	1	06.06.468
15	GB/T6183.1-2000	Hexagon lock nut M6	2	01.03.0343
16	GB/T5789-1986	Hexagon bolt M6X16	2	01.02.0054

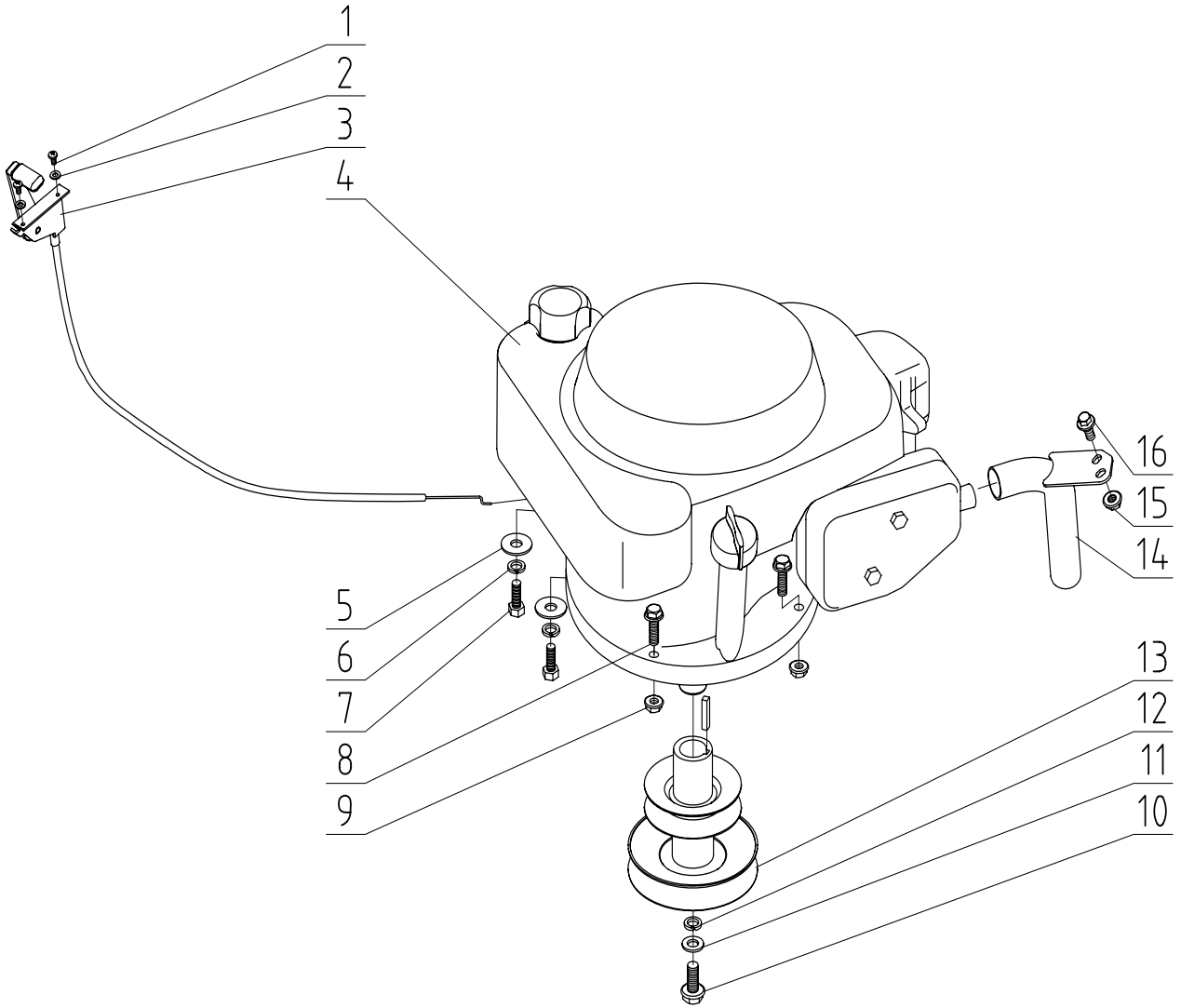
GEAR 24 PARTS DIAGRAM



ENGINE CONTROL

1	GB/T818-2000	Screw M4X8	2	01.01.1793
2	GB/T97.1-1985	Washer 4	2	01.04.1143
3	D24.0101.0200	Throttle cable	1	00.06.02.074
4	D24.0100.0006	196cc Engine (manual start)	1	00.06.02.077
5	GB/T96-1985	Big washer 8	2	01.04.1301
6	GB/T93-1987	Spring washer 8	2	01.04.1163
7	GB/T5789-2000	Hexagon bolt M8X25	2	01.02.0531
8	GB/T5789-1986	Hexagon bolt M8X45	2	01.02.0263
9	GB/T6183.1-2000	Hexagon lock nut M8	2	01.03.0093
10	ANSI B 18.2.1	Bolt	1	01.02.0324
11	GB/T97.1-1985	Washer 10	1	01.04.0373
12	ASME B18.21.1	Spring washer 3/8"	1	01.04.0144
13	D24.0104.0700	Step pulley	1	06.02.179
14	D24.0103.0200	Exhaust connection	1	06.06.480
15	GB/T6183.1-2000	Hexagon lock nut M6	2	01.03.0343
16	GB/T5789-1986	Hexagon bolt M6X16	2	01.02.0054

GEAR 24 PARTS DIAGRAM



ENGINE CONTROL

1	GB/T818-2000	Screw M4X8	2	01.01.1793
2	GB/T97.1-1985	Washer 4	2	01.04.1143
3	D24.0101.0200	Throttle cable	1	00.06.02.074
4	D24.0100.0007	196cc Engine (electric start)	1	00.06.02.052
5	GB/T96-1985	Big washer 8	2	01.04.1301
6	GB/T93-1987	Spring washer 8	2	01.04.1163
7	GB/T5789-2000	Hexagon bolt M8X25	2	01.02.0531
8	GB/T5789-1986	Hexagon bolt M8X45	2	01.02.0263
9	GB/T6183.1-2000	Hexagon lock nut M8	2	01.03.0093
10	ANSI B 18.2.1	Bolt	1	01.02.0324
11	GB/T97.1-1985	Washer 10	1	01.04.0373
12	ASME B18.21.1	Spring washer 3/8"	1	01.04.0144
13	D24.0104.0700	Step pulley	1	06.02.179
14	D24.0103.0200	Exhaust connection	1	06.06.480
15	GB/T6183.1-2000	Hexagon lock nut M6	2	01.03.0343
16	GB/T5789-1986	Hexagon bolt M6X16	2	01.02.0054